

## Product information sheet ZEROX 500-IF Durinox

Item no. 523098

### Benefits

---



- Zero radius design with the striking rectangular bowl geometry
- Matt velvet look with a homogeneous surface structure and pleasantly warm to the touch
- Highly resistant to scratches
- High-quality features with the covered C-overflow and InFino drain system – elegantly integrated and easy-care
- Easy to combine, matching accessory solutions

## Planning information

---

- Note: Installing a kitchen mixer tap, drain remote control or soap dispenser in laminate worktops requires a flexible sealing tape.
- Please order drain connections for combinations of two individual bowls separately.

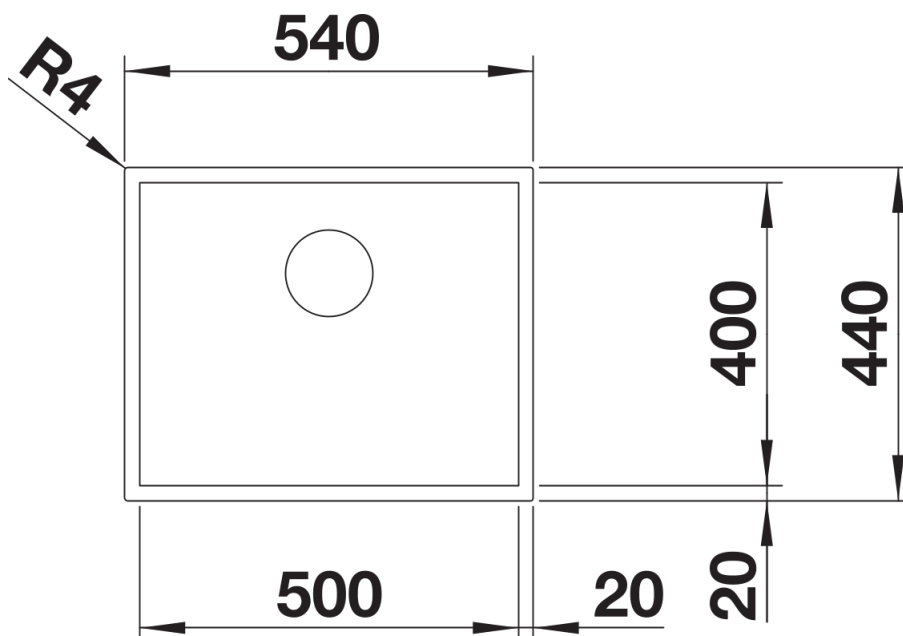
## Scope of supply

---

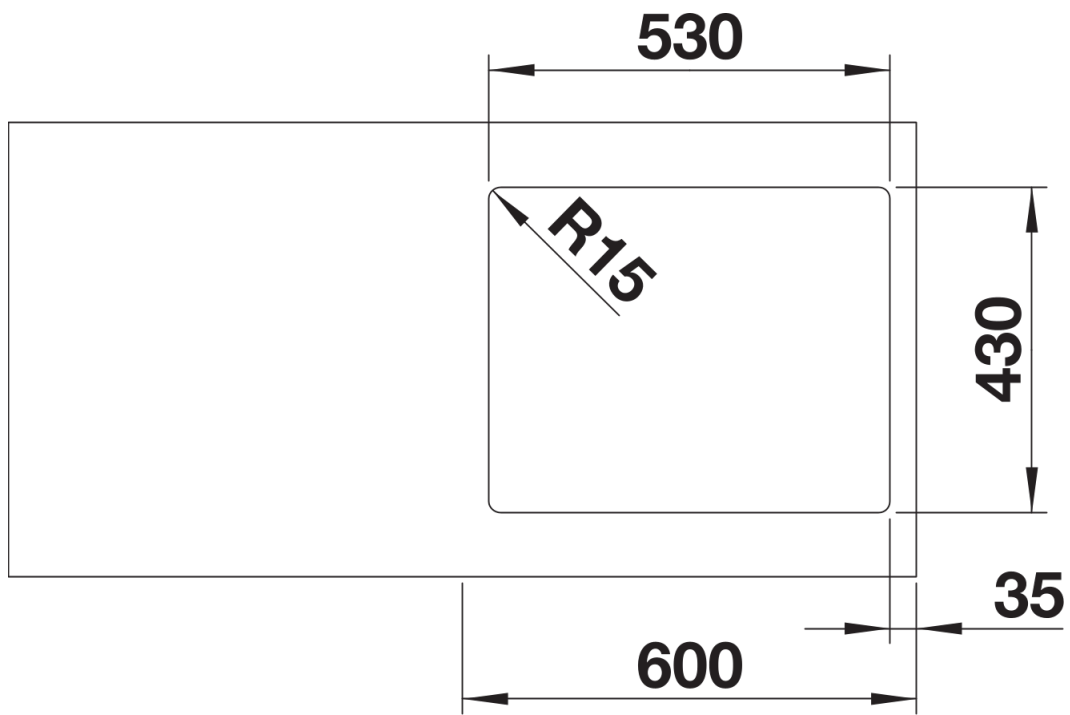
- waste kit with space saving pipe
- 3 ½" InFino basket strainer
- fixing kit

## Details

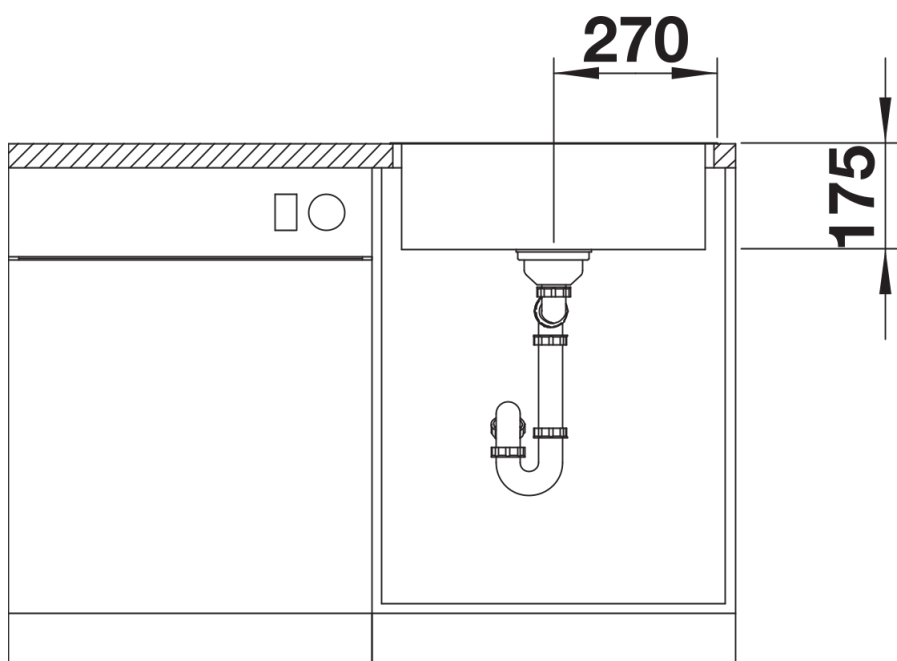
---



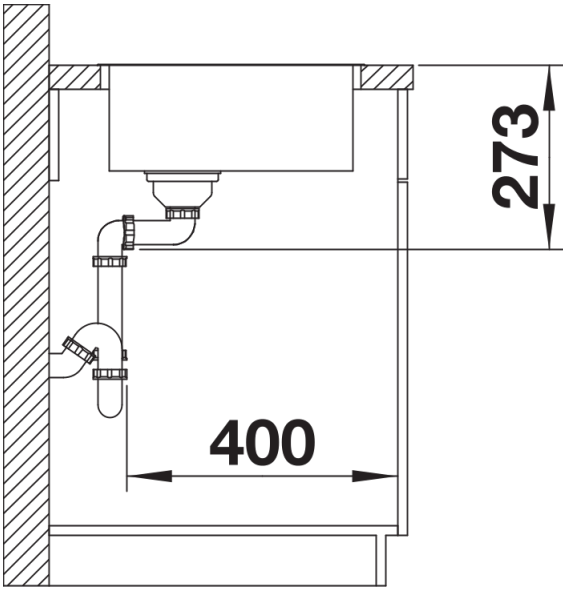
Top view



Cut-out



Front view



Side view