

Product information sheet ZEROX 550-IF/A

Item no. 521638

Benefits

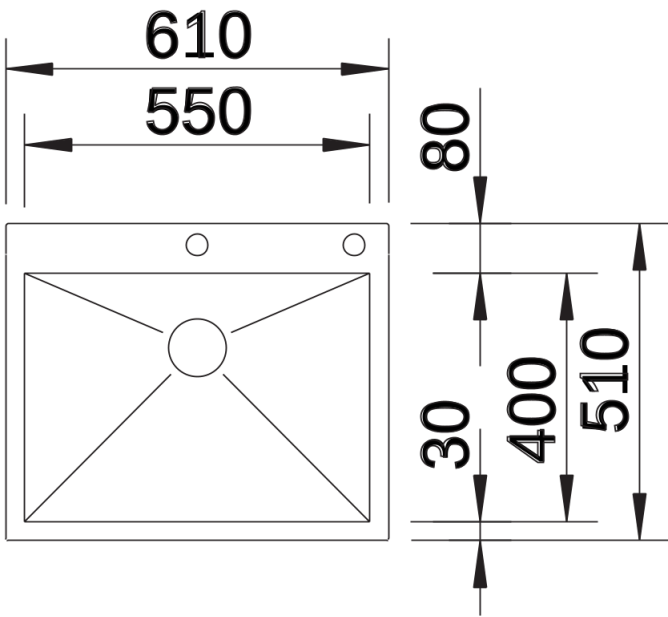


- Zero-radius design with striking, right-angled bowl geometry
- Flush IF - flat rim
- Augmented stability of the mixer tap due to the extensive stabilising technology
- InFino drain system with PushControl - the slim and intuitive remote control
- Wide product programme of inset bowls

Scope of supply

- waste kit with space-saving pipe
- 3 ½" InFino basket strainer with drain remote control (PushControl)
- fixing kit

Details



Top view