

Product information sheet ZIA 6 S

Item no. 514742

Benefits



- Modern design with clear lines
- Straight-lined outer contour emphasised by the narrow rim
- Characteristic tap ledge as a frame that enlarges the drainer
- Spacious main bowl for comfortable working
- Additional bowl with 3 ½" basket strainer
- Classic bowl arrangement for reversible installation

Colours



Available colours:

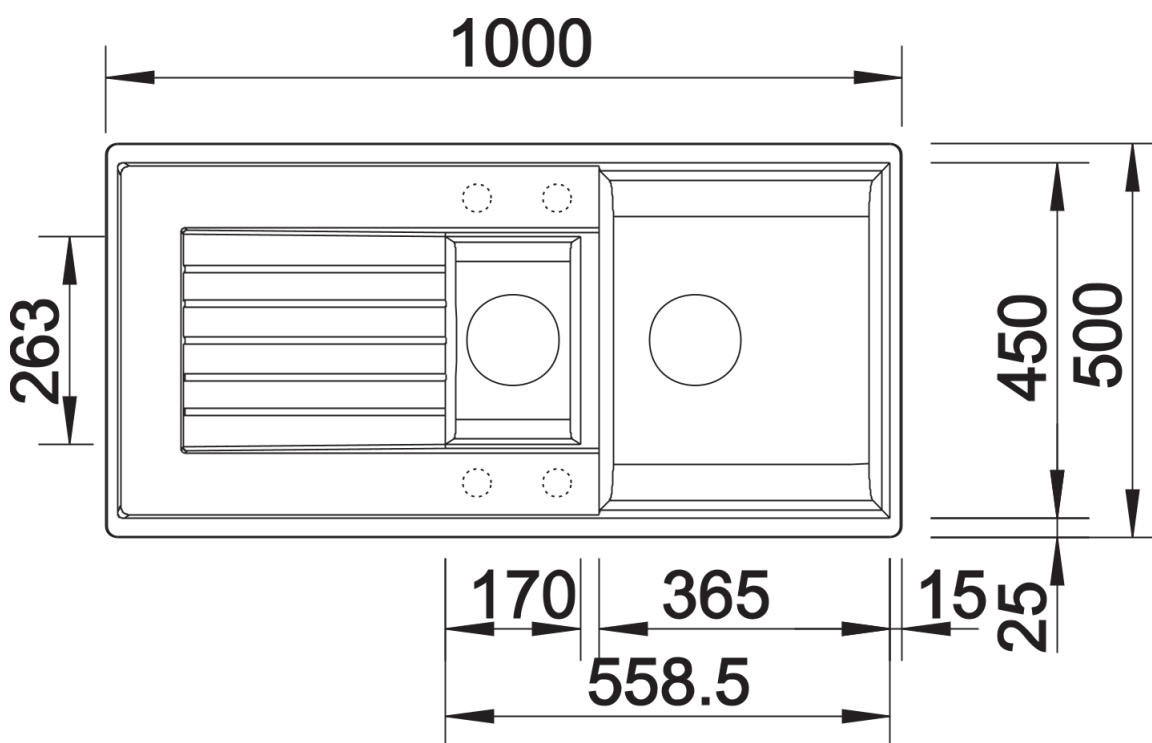
black
anthracite
volcano grey
white
soft white
coffee

SILGRANIT white

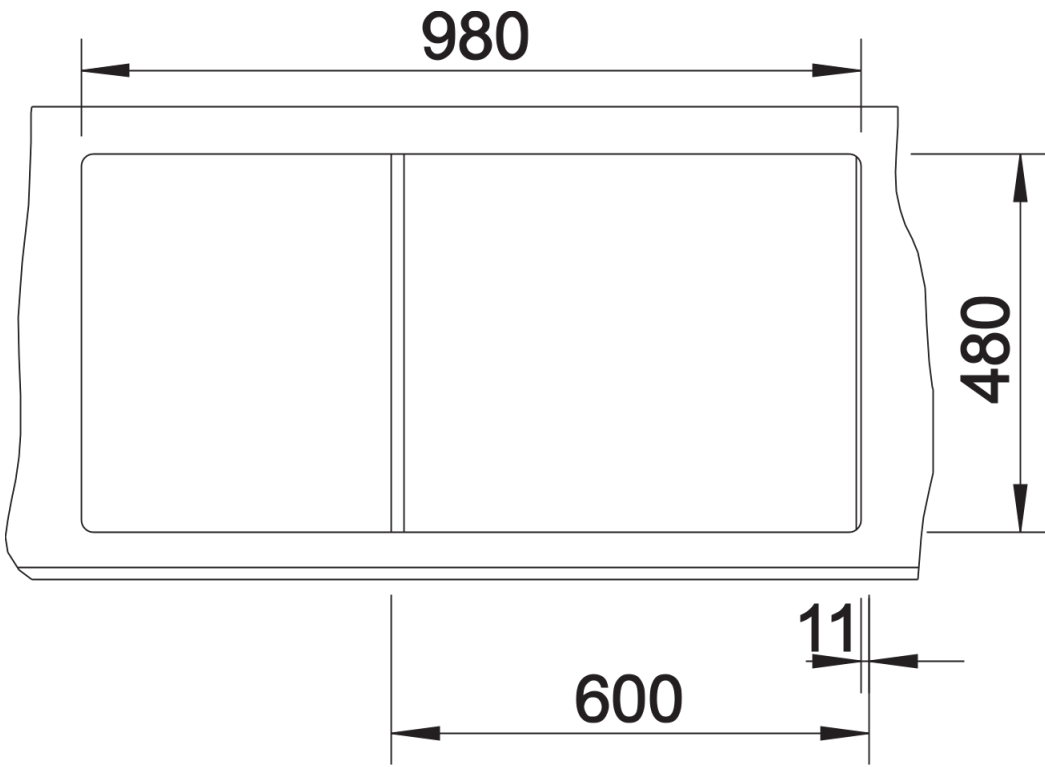
Scope of supply

- waste kit with space-saving pipe
- 2 x 3 1/2" basket strainer

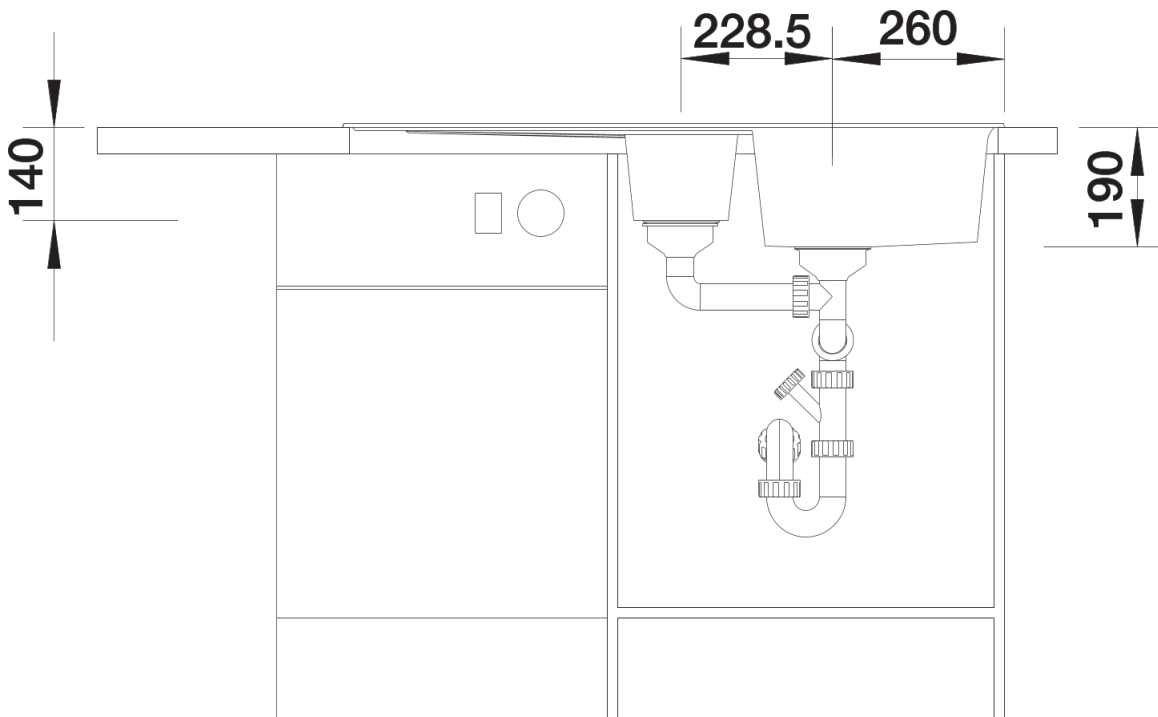
Details



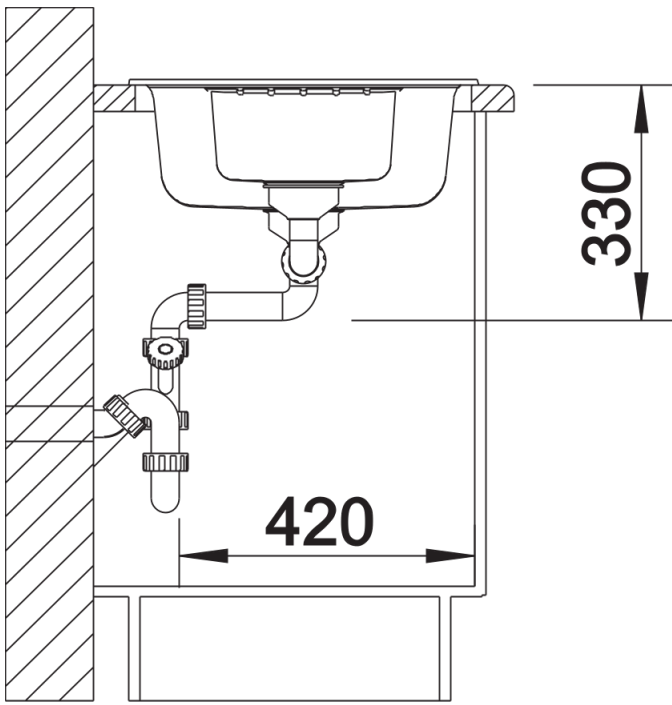
Top view



Cut-out



Front view



Side view