

Product information sheet ZIA 45 S

Item no. 514726

Benefits



- Modern design with clear lines
- Straight-lined outer contour emphasised by the narrow rim
- Characteristic tap ledge as a frame that enlarges the drainer
- Spacious bowl for comfortable working
- Separate drain provides a high degree of comfort
- Classic bowl arrangement for reversible installation option

Colours



Available colours:

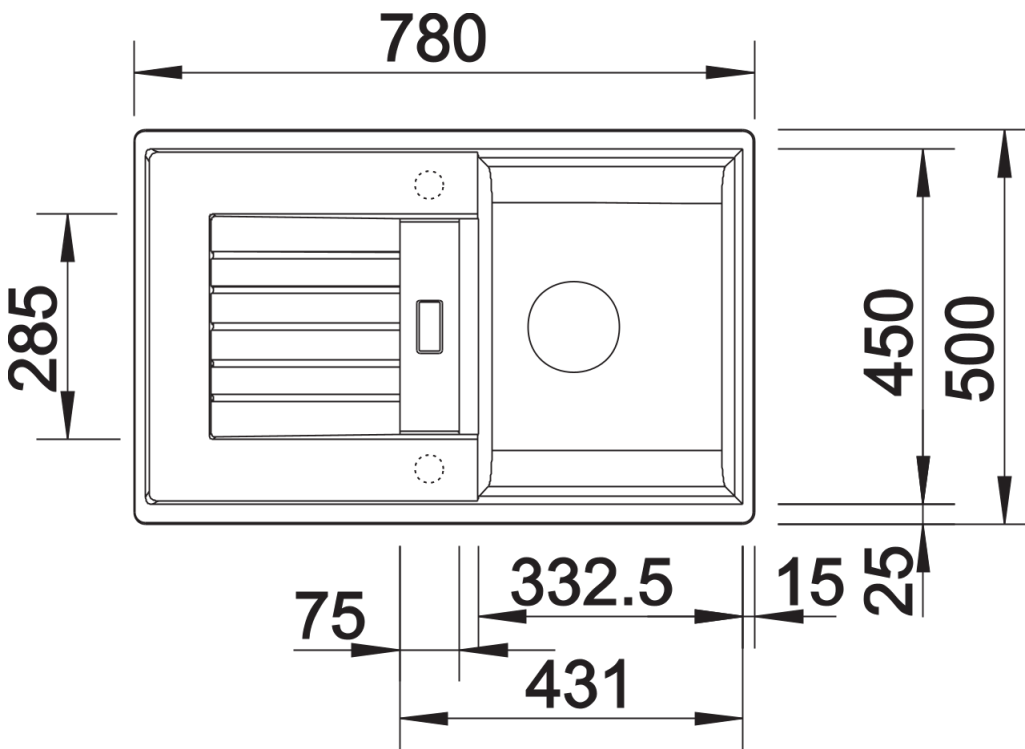
black
anthracite
volcano grey
white
soft white
coffee

SILGRANIT white

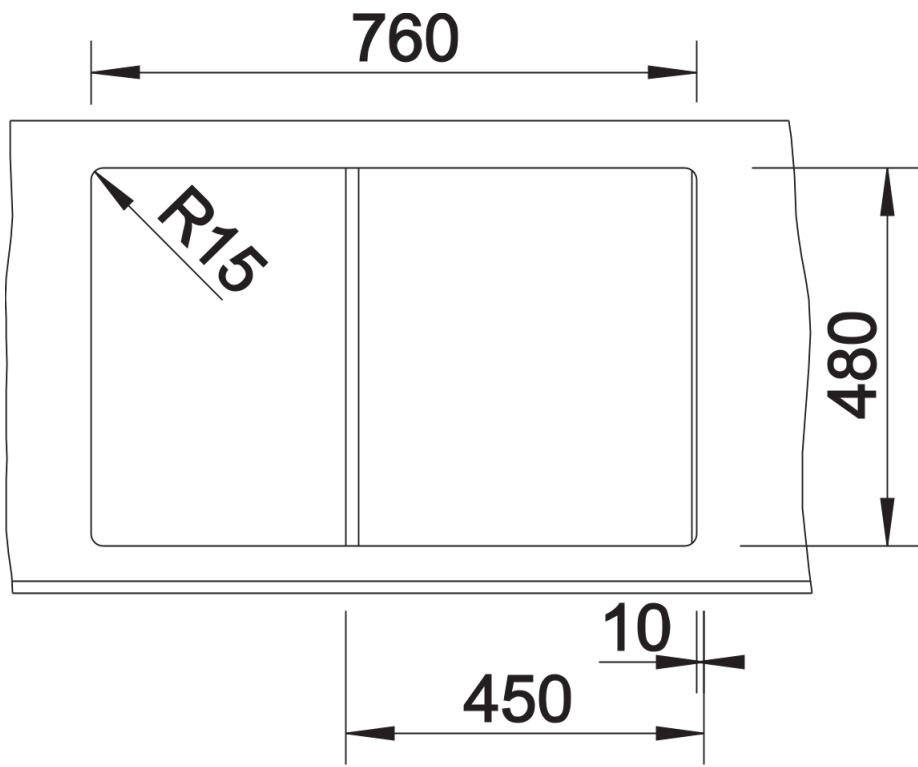
Scope of supply

- waste kit with space-saving pipe
- 3 1/2" basket strainer

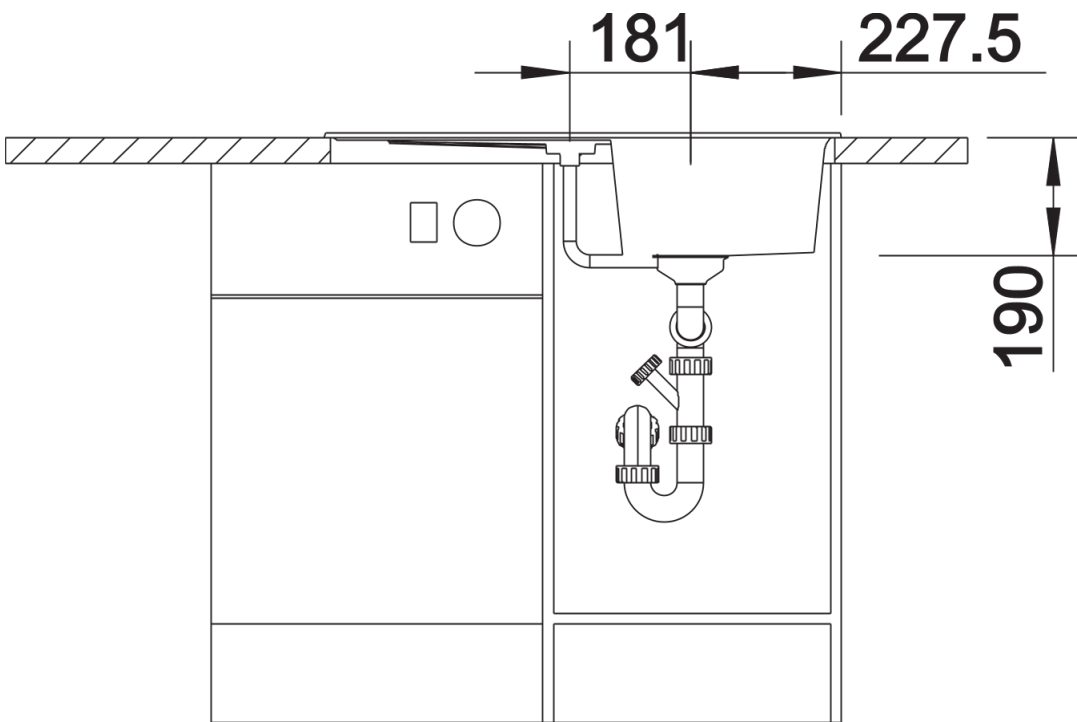
Details



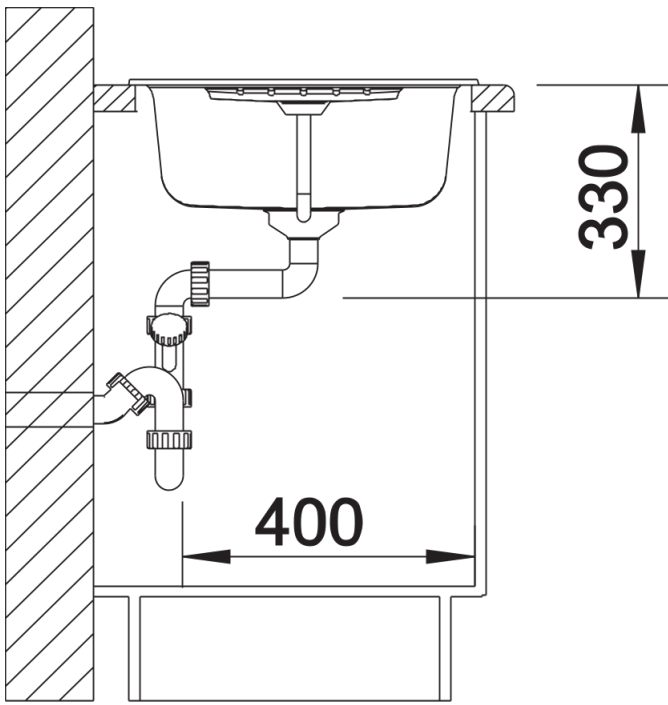
Top view



Cut-out



Front view



Side view