

## Product information sheet ZIA XL 6 S

Item no. 517571

### Benefits

---



- Modern design with clear lines
- Straight-lined outer contour emphasised by the narrow rim
- Characteristic tap ledge as a frame that enlarges the drainer
- XL bowl for even more space when washing your dishes
- Classic bowl arrangement for reversible installation

## Colours

---



Available colours:

- black
- anthracite
- volcano grey
- white
- soft white
- coffee

SILGRANIT white

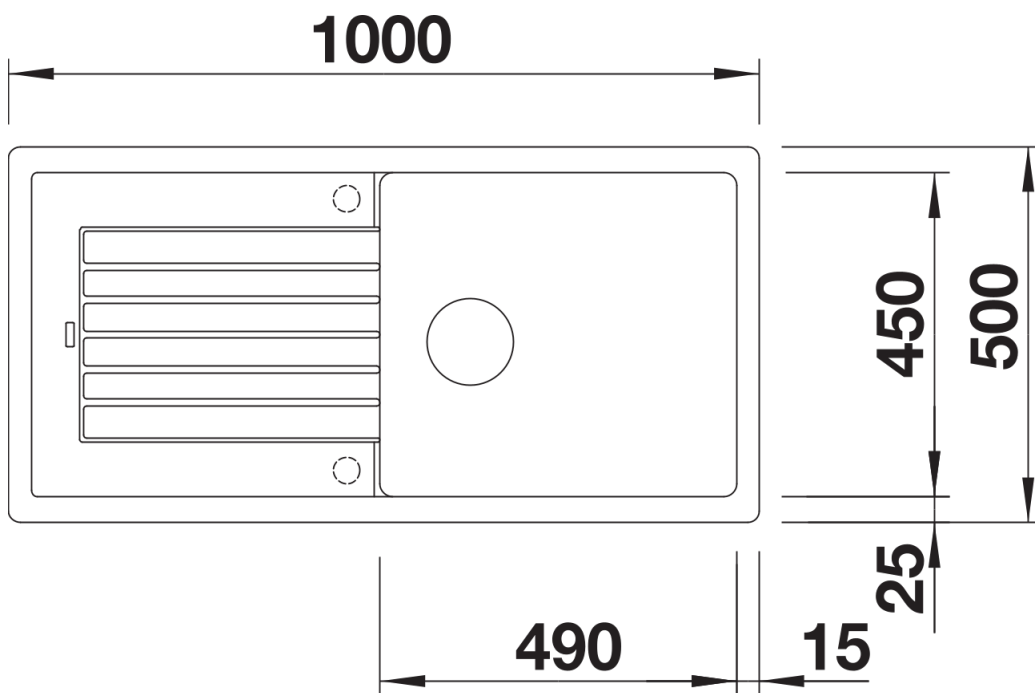
## Scope of supply

---

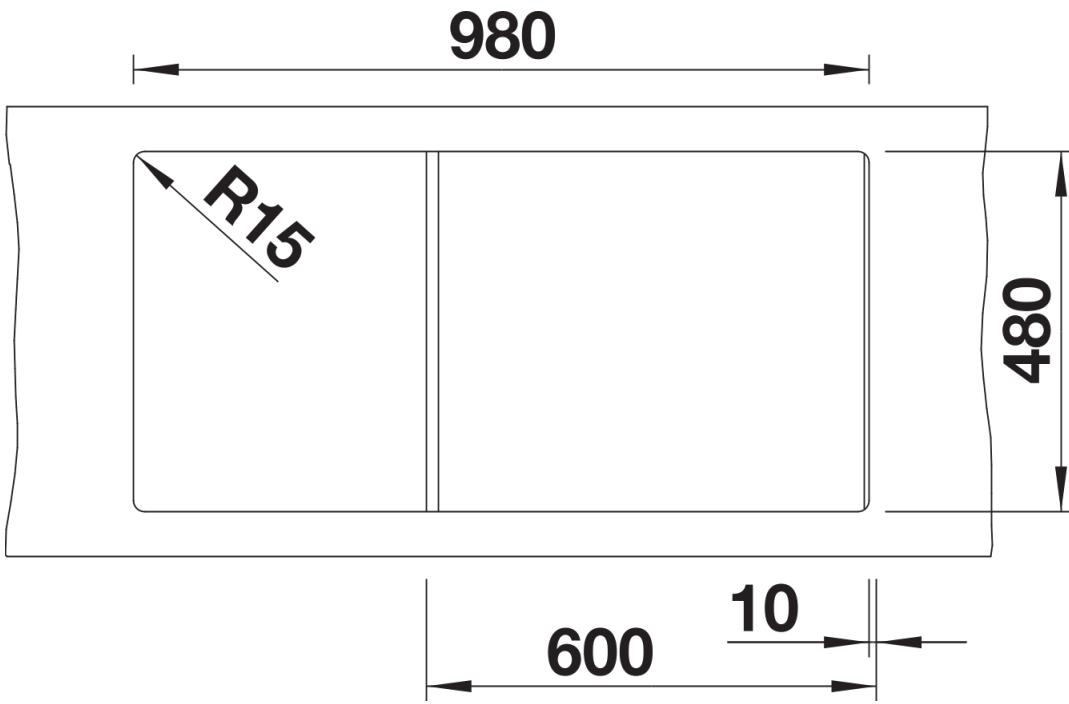
- waste kit with space-saving pipe
- 3 ½" basket strainer

## Details

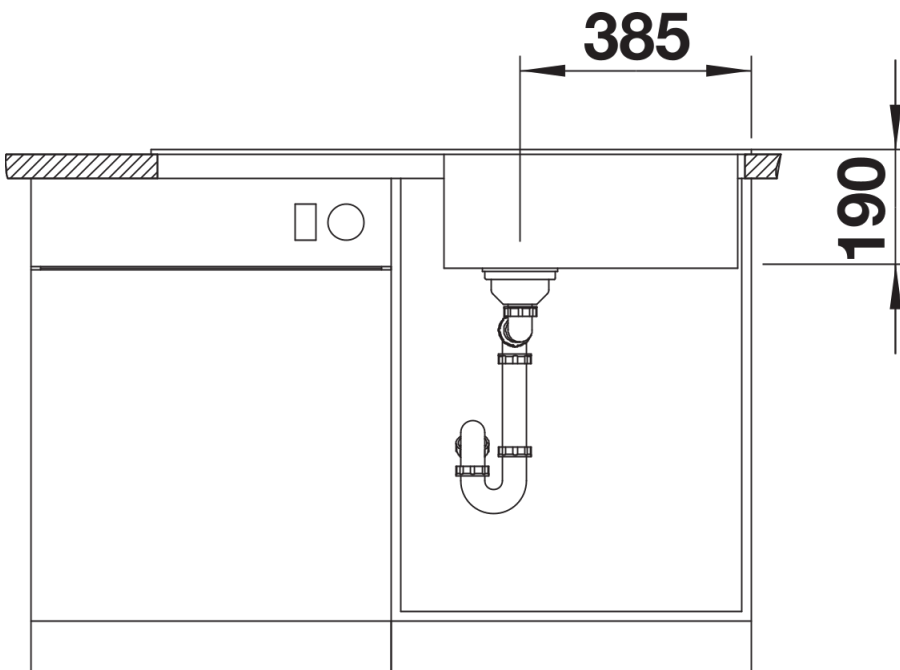
---



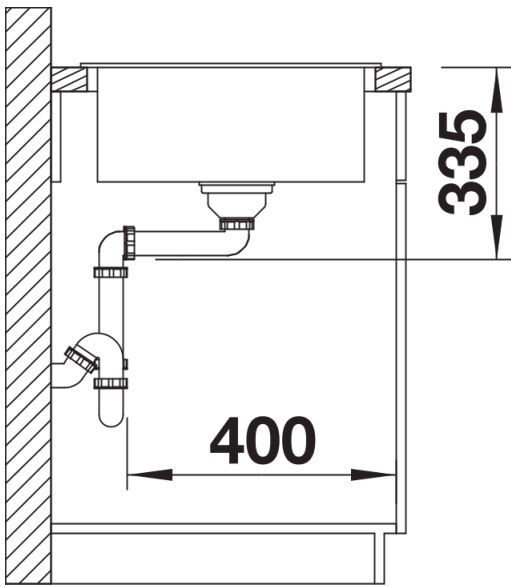
Top view



Cut-out



Front view



Side view