

## Product information sheet ZIA 8 S

Item no. 515605

### Benefits

---



- Modern design with clear lines
- Straight-lined outer contour emphasised by the narrow rim
- Characteristic tap ledge as a frame that enlarges the drainer
- Spacious double bowl sink with drainer provides a high degree of comfort
- Classic bowl arrangement for reversible installation

## Colours

---



Available colours:

black  
anthracite  
volcano grey  
white  
soft white  
coffee

SILGRANIT anthracite

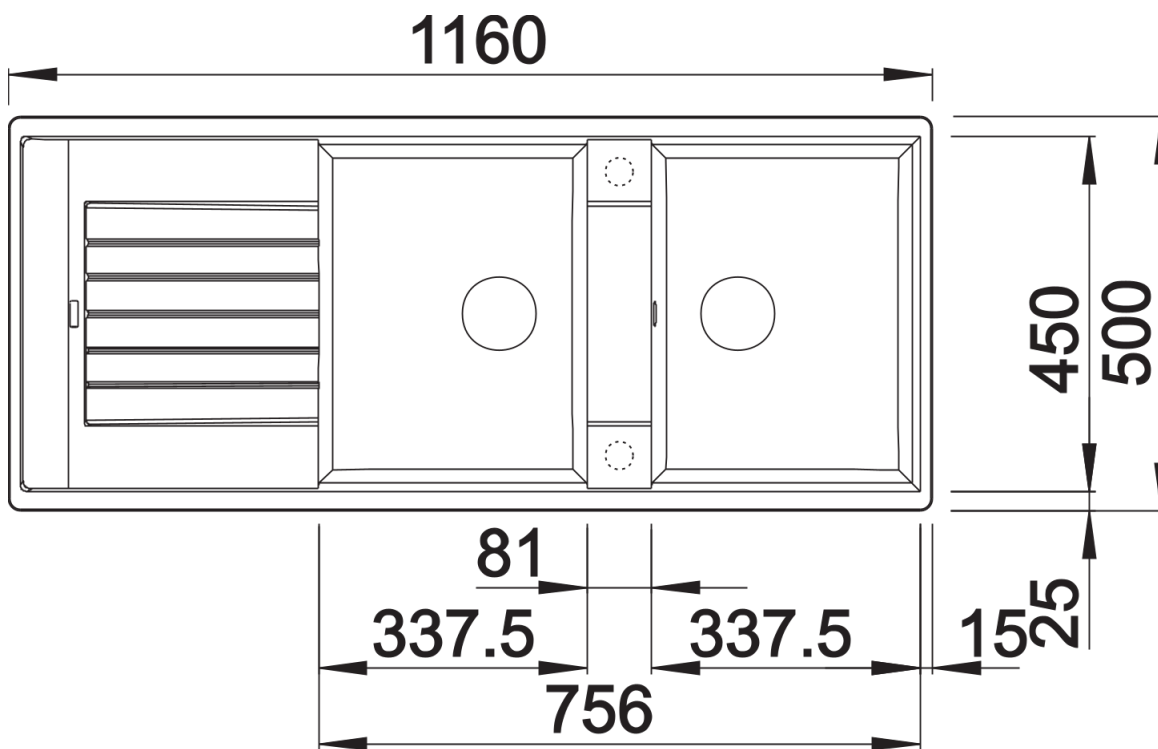
## Scope of supply

---

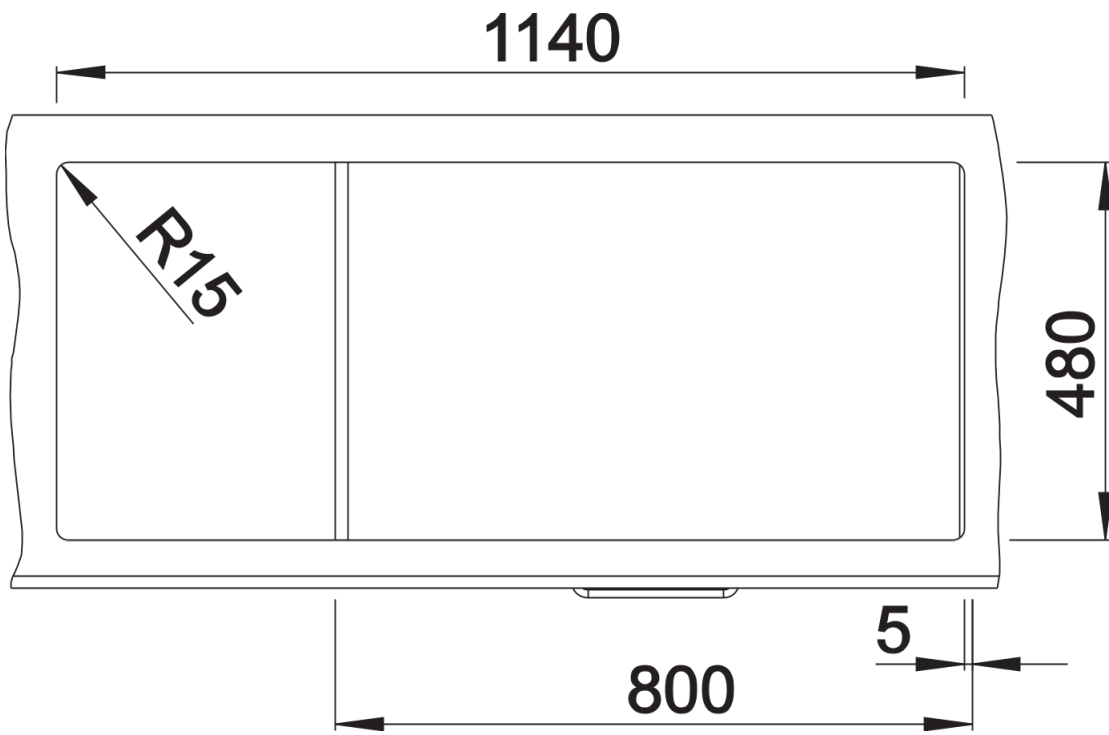
- waste kit with space-saving pipe
- 2 x 3 1/2" basket strainer

## Details

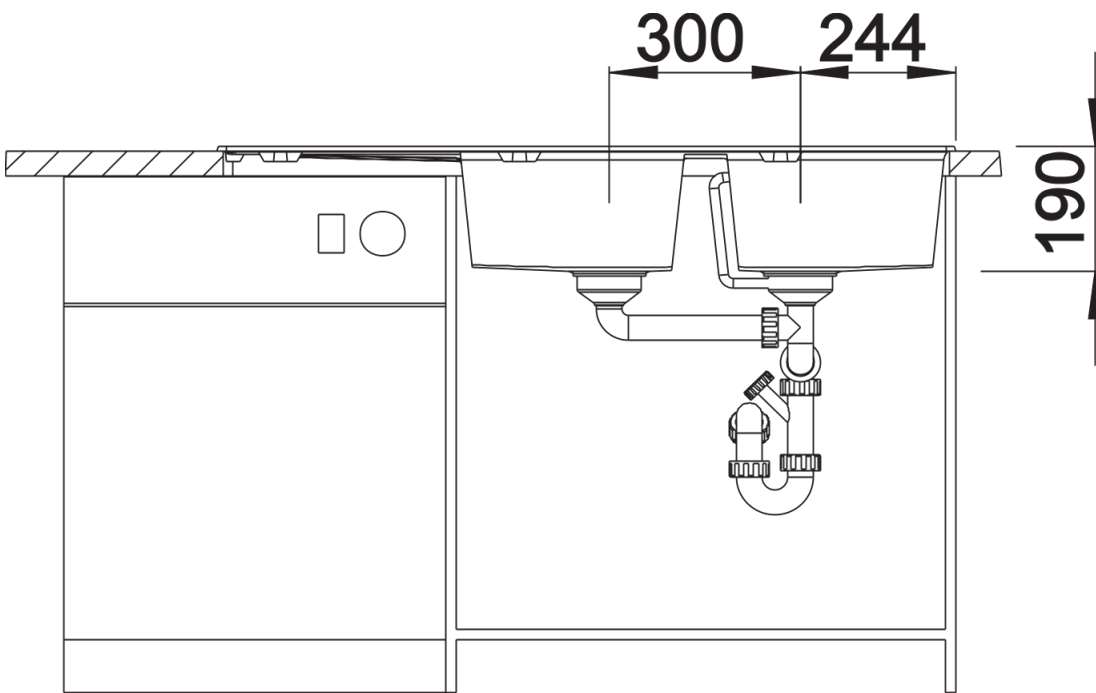
---



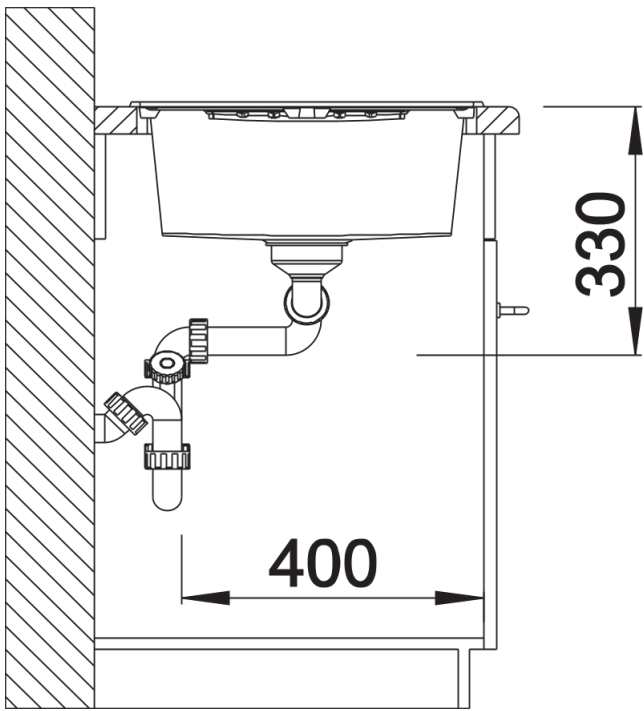
Top view



Cut-out



Front view



Side view