

## Product information sheet ZIA 9 E

Item no. 514764

### Benefits

---



- Modern design with clear lines
- Symmetrical setup with balanced proportions
- Very spacious, centred bowl with small corner radiuses
- Compact drainer and recessed draining area
- Suitable for corner and line designs

## Colours

---



Available colours:

black  
anthracite  
volcano grey  
white  
soft white  
coffee

SILGRANIT anthracite

## Planning information

---

- Cut-out by template.

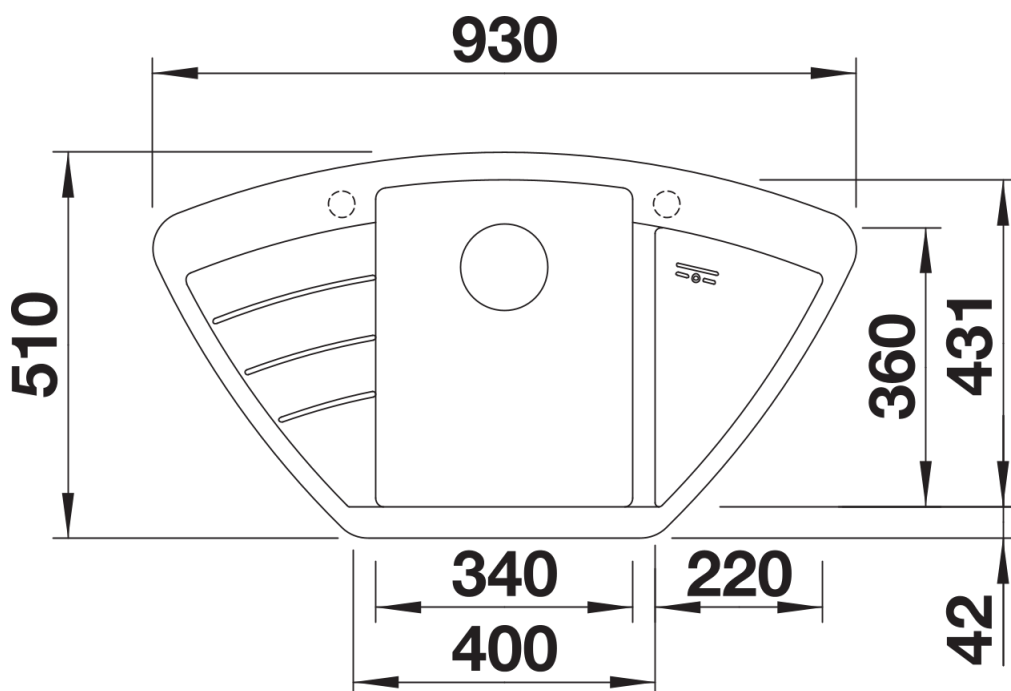
## Scope of supply

---

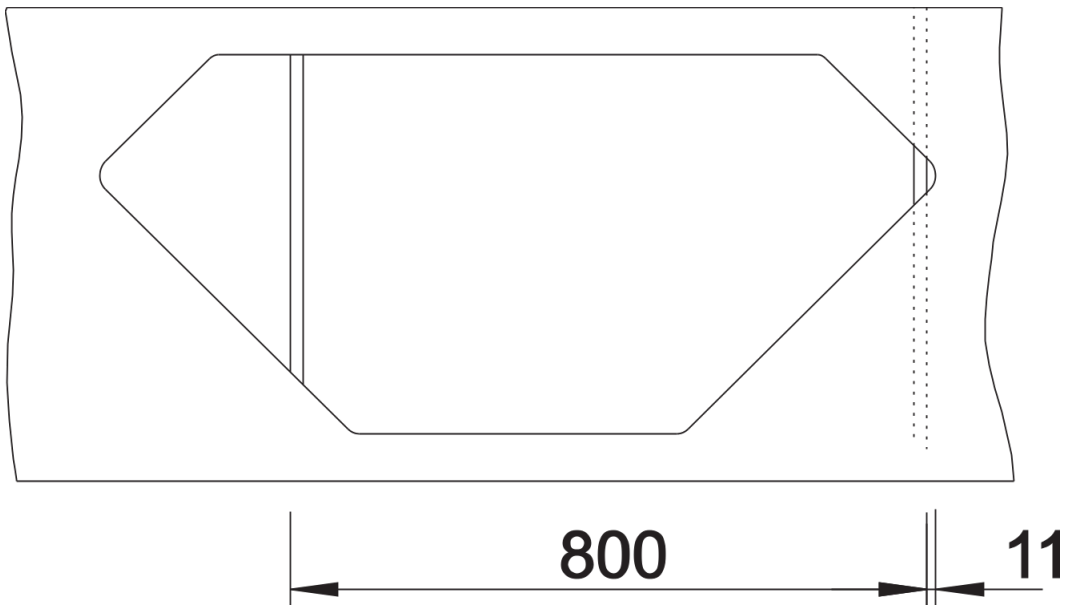
- waste kit with space-saving pipe
- 3 ½" basket strainer

## Details

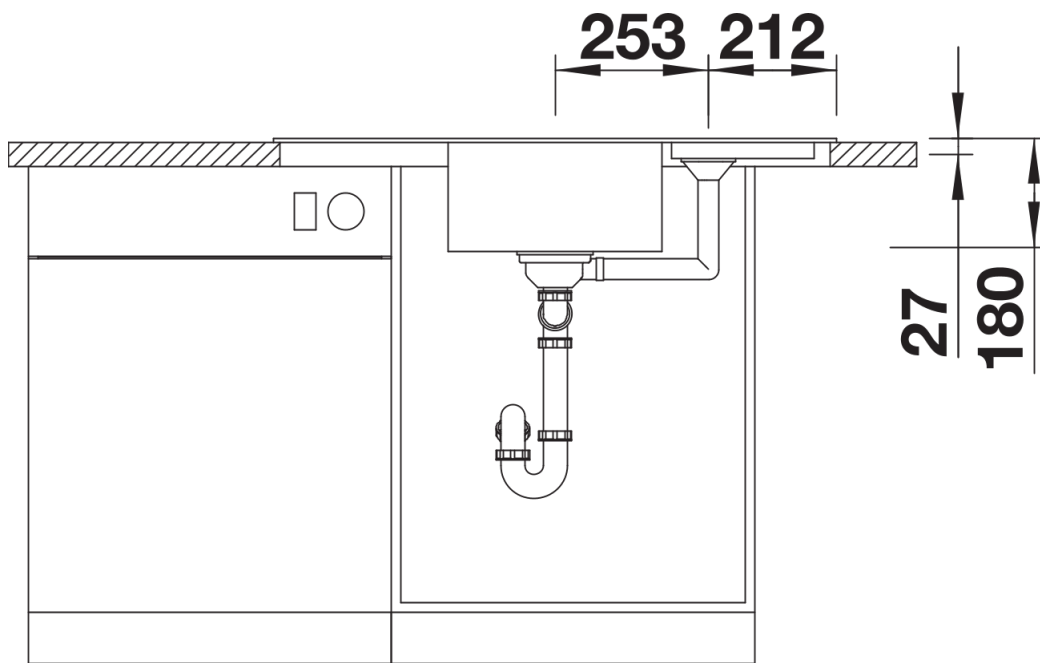
---



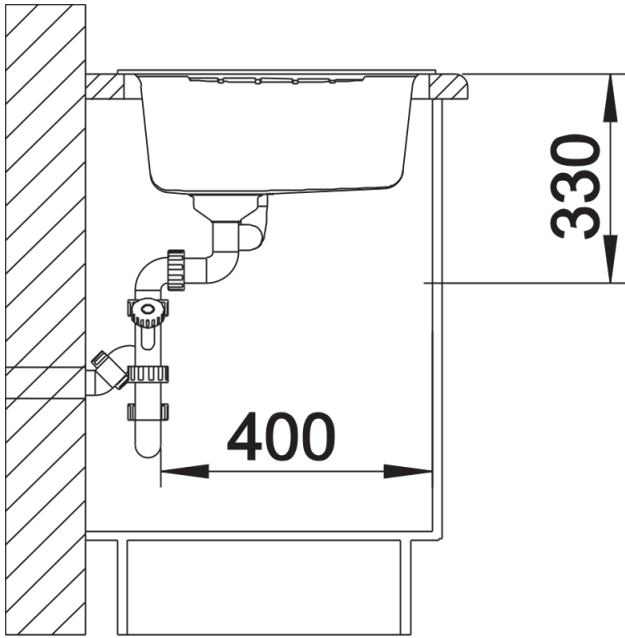
Top view



Cut-out



Front view



Side view