

Product information sheet ZIA 9

Item no. 516686

Benefits



- Modern design with clear lines
- Straight-lined outer contour emphasised by the narrow rim
- Spacious double bowl sink for doing different tasks at the same time

Colours



Available colours:

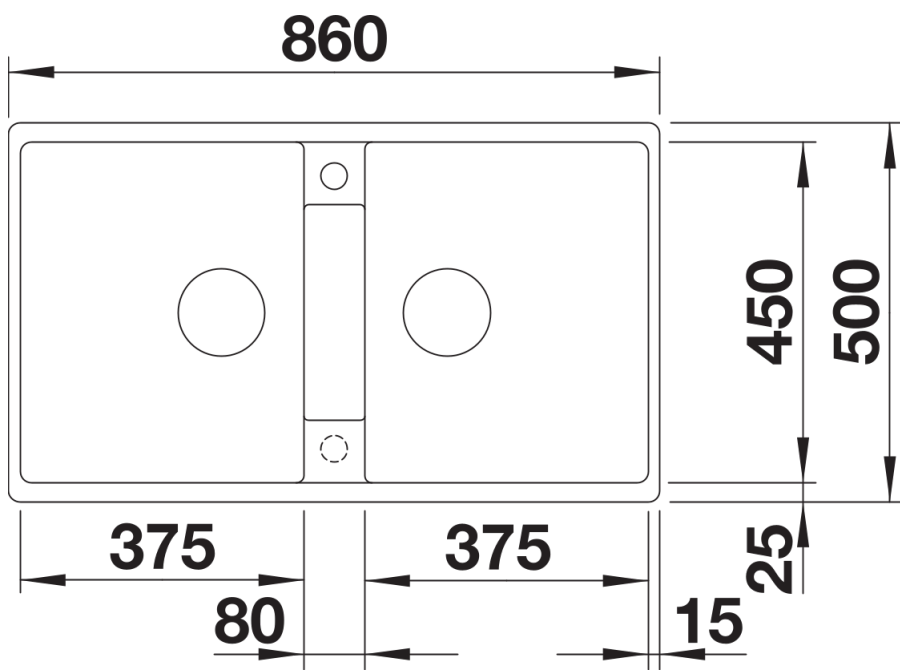
black
anthracite
volcano grey
white
soft white
coffee

SILGRANIT anthracite

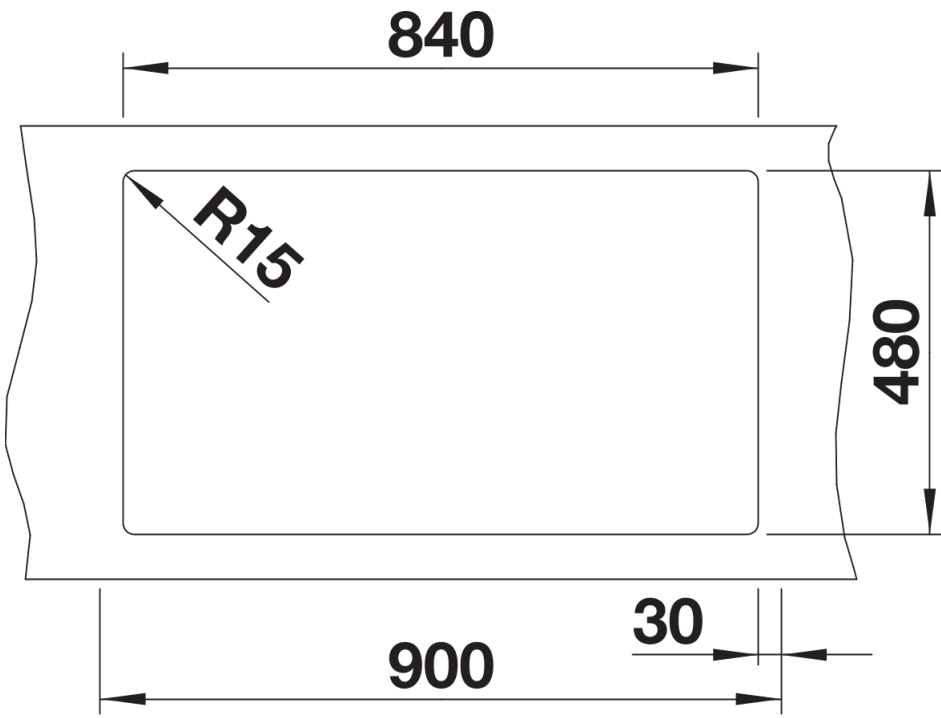
Scope of supply

- waste kit with space-saving pipe
- 2 x 3 1/2" basket strainer

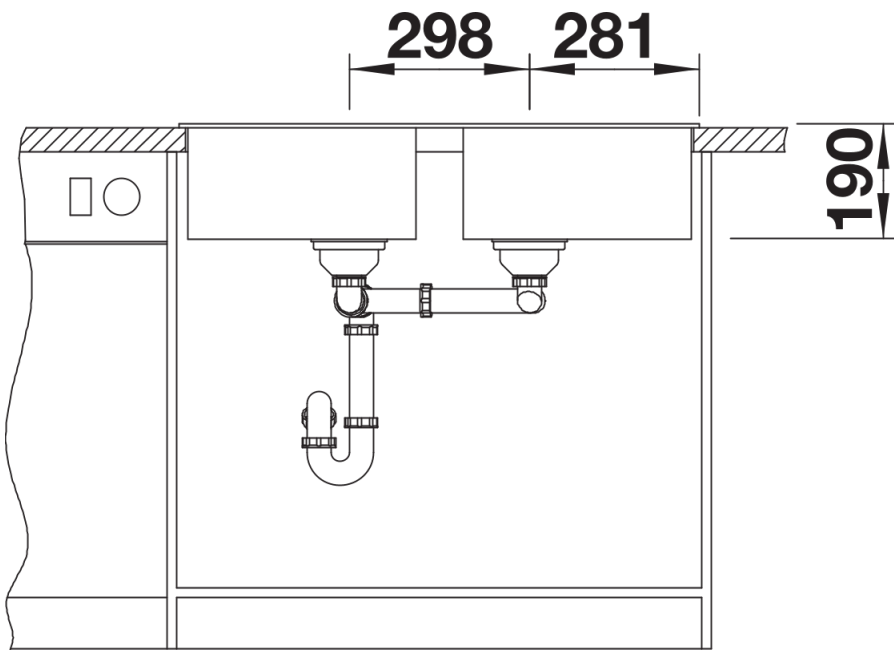
Details



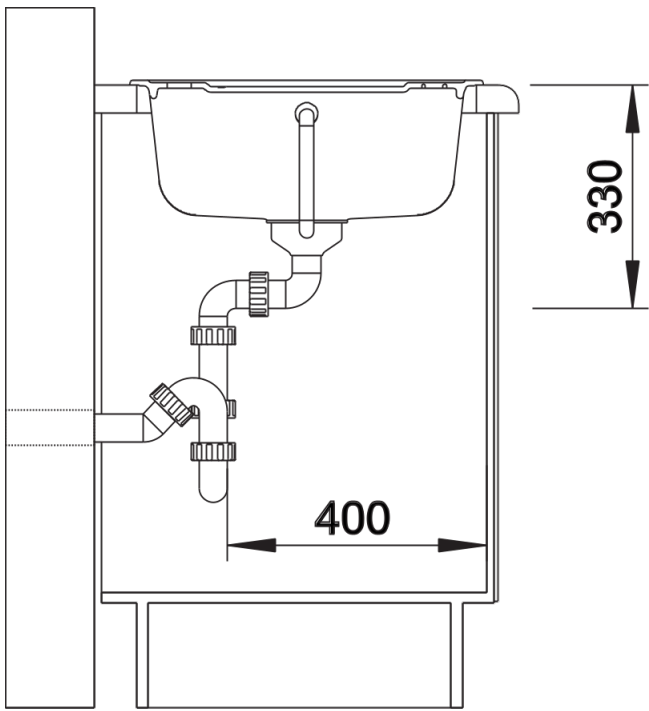
Top view



Cut-out



Front view



Side view