

Product information sheet AXIA III XL 6 S

Item no. 523501

Benefits



- Smooth, ergonomic work flow along two axis
- Design that is notable for clear lines and the ultra-narrow, low-profile rim
- Tight radii for maximum utilisation of the surface and volume
- Movable chopping board for working directly into cooking dishes
- Spacious bowl size and beautifully integrated, practical drainer groove
- High-quality features with drain remote control, covered C-overflow and InFino drain system – elegantly integrated and easy-care
- Can be installed reversibly

Colours



SILGRANIT rock grey

Available colours:

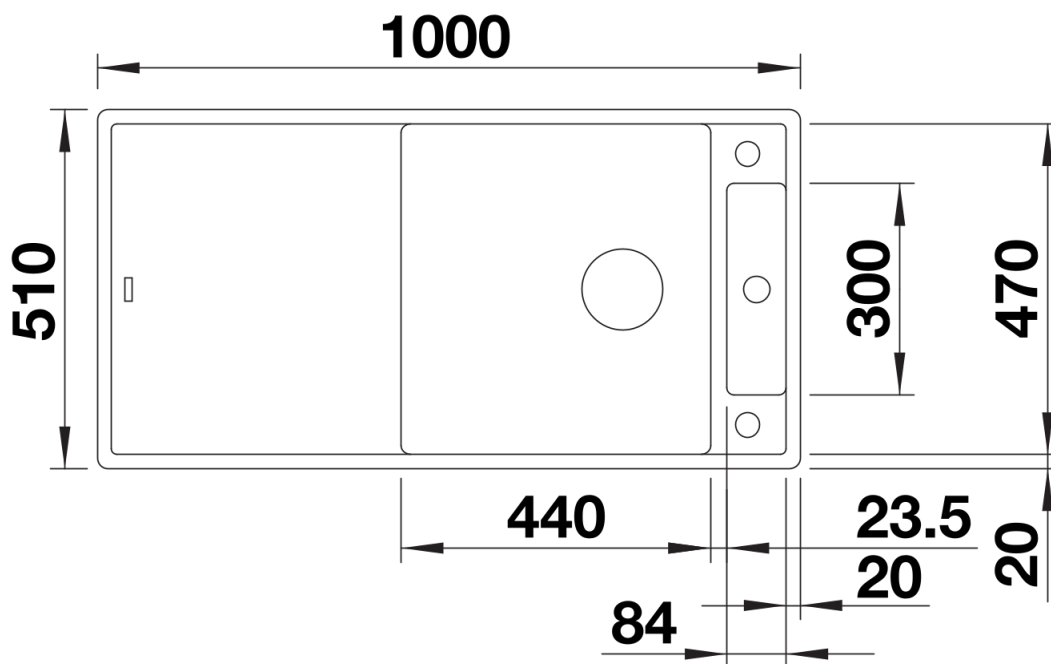
black
anthracite
rock grey
volcano grey
white
soft white
tartufo
coffee

Scope of supply

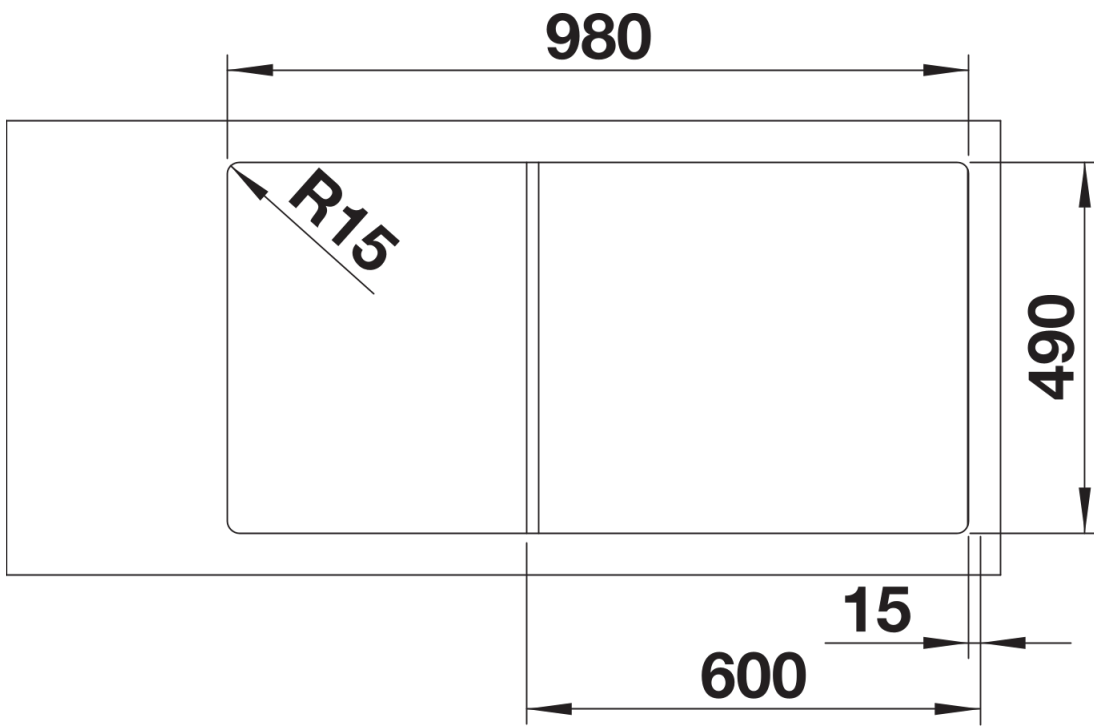
- movable ash compound bridging chopping board
- waste kit with space-saving pipe
- 3 ½" InFino basket strainer with drain remote control (rotary switch)

234051 - Ash compound bridging cutting board

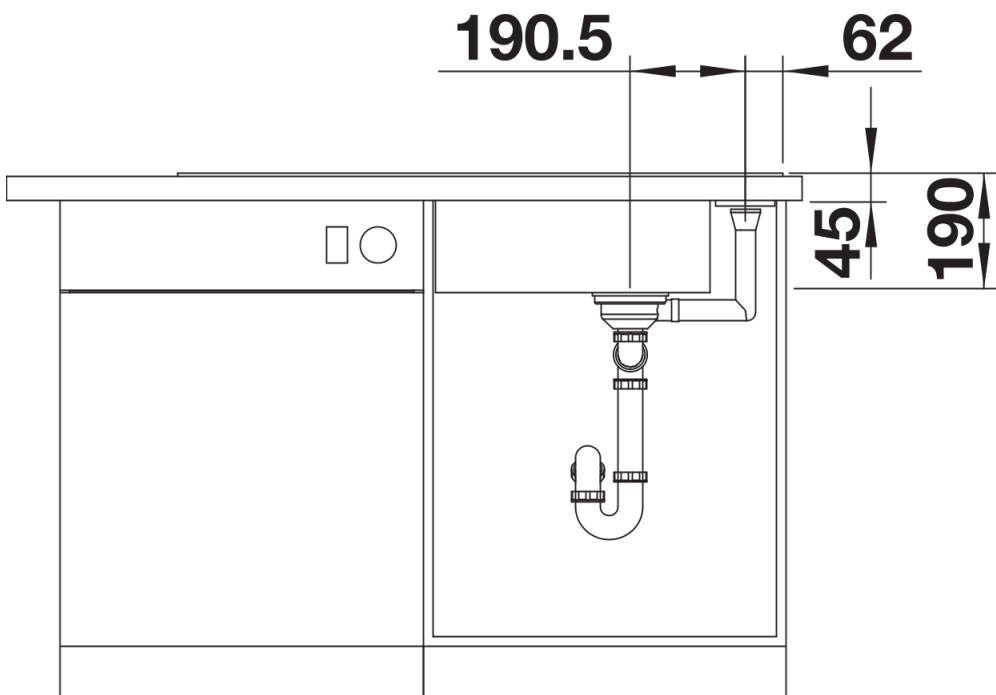
Details



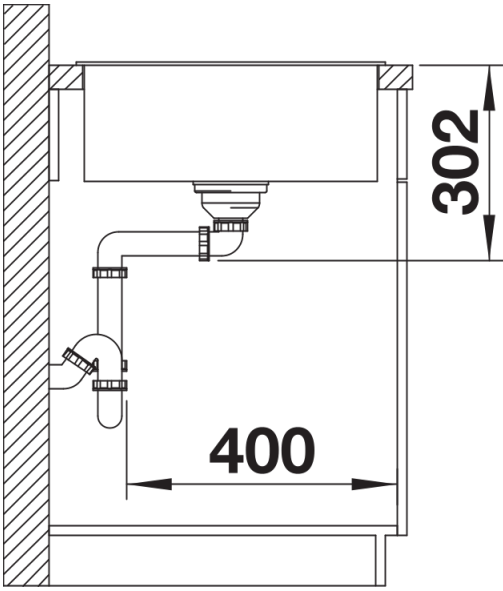
Top view



Cut-out



Front view



Side view