

Product information sheet SUBLINE 400-F

Item no. 525988

Benefits



- Bowls for modern kitchen designs
- Timelessly elegant, contoured bowl design
- High-quality features with covered C-overflow and InFino drain system – elegantly integrated and easy-care
- Optional versatile accessories are available

Colours



Available colours:

- black
- anthracite
- rock grey
- volcano grey
- alu metallic
- white
- soft white
- coffee

SILGRANIT black

Planning information

- Note:

- for worktop thicknesses of 15 mm and over, a space for the overflow must be cut out on the underside.

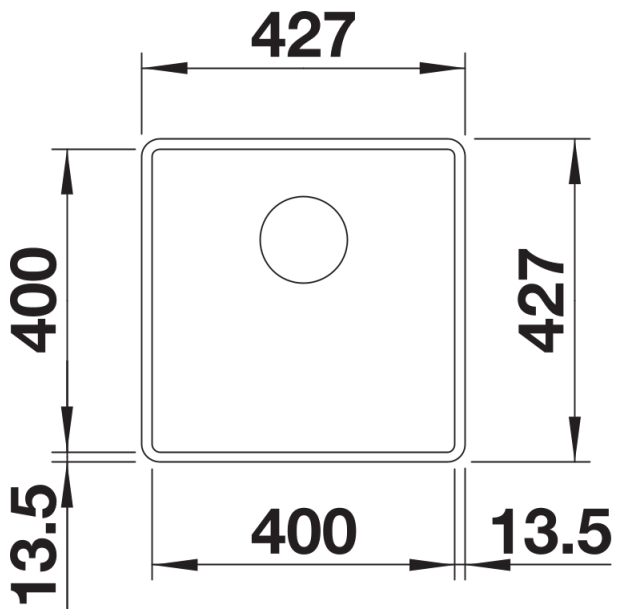
- Model-related detailed dimensions and drawings can be found with the cut-out information online at www.blanco.com.

Scope of supply

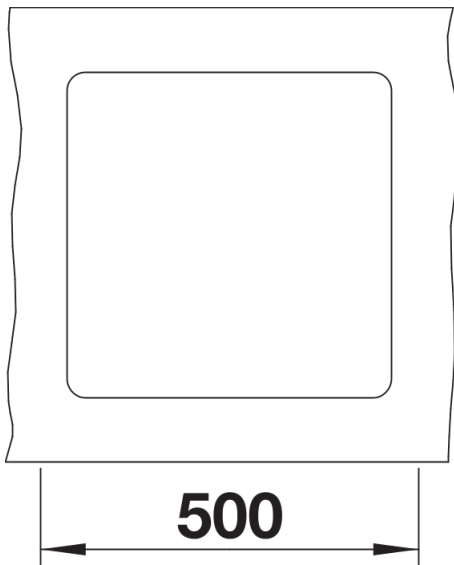
- waste kit with space-saving pipe

- 3 ½" InFino basket strainer

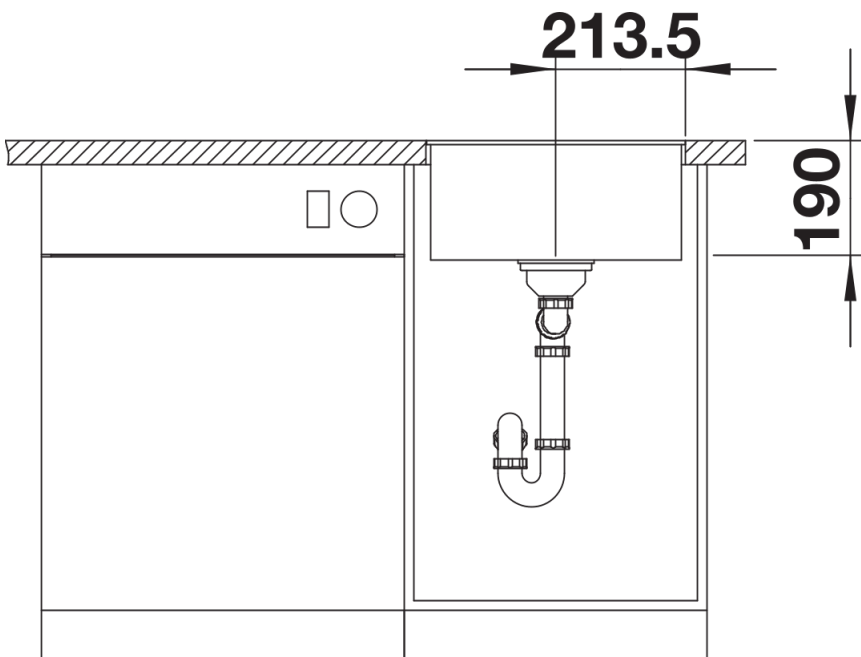
Details



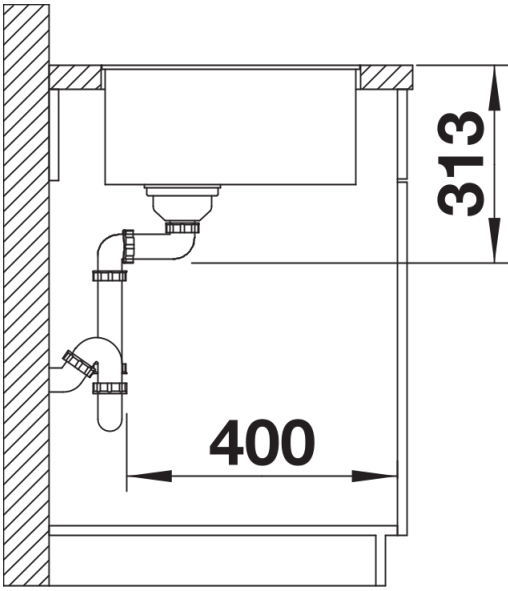
Top view



Cut-out



Front view



Side view