

Product information sheet SUBLINE 480/320-U

Item no. 525993

Benefits



- Undermount bowl for discerning demands on design
- Timelessly elegant, contoured bowl design
- 2 in 1: two bowls, one cut-out panel and only one mounting procedure
- Entire system for a wide variety of plans featuring two large bowls
- High-quality features with covered C-overflow and InFino drain system – elegantly integrated and easy-care
- Optional versatile accessories are available

Colours



SILGRANIT black

Available colours:

- black
- anthracite
- rock grey
- volcano grey
- alu metallic
- white
- soft white
- tartufo
- coffee

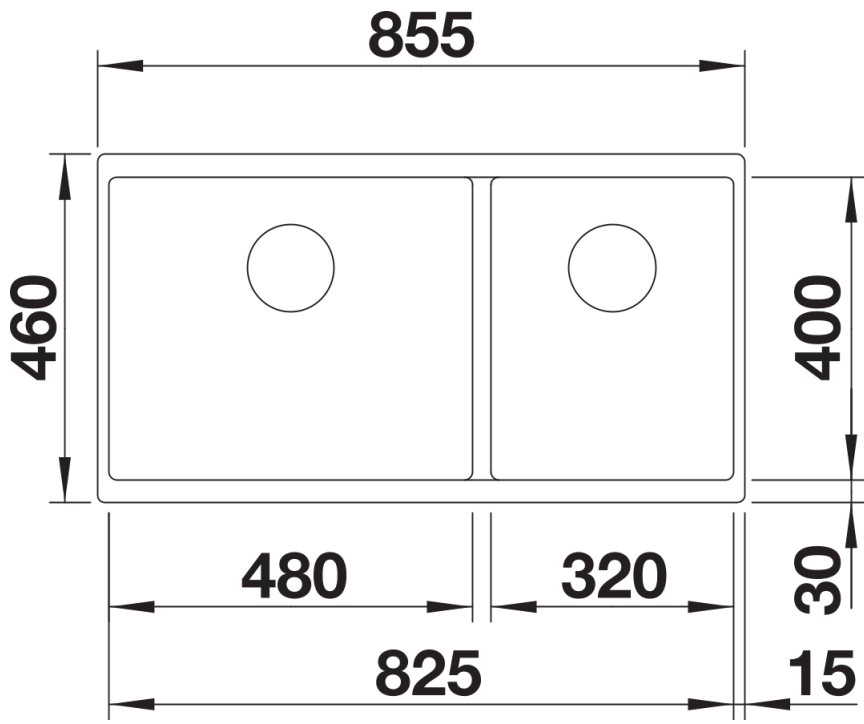
Planning information

- Cut-out radius: 10 mm

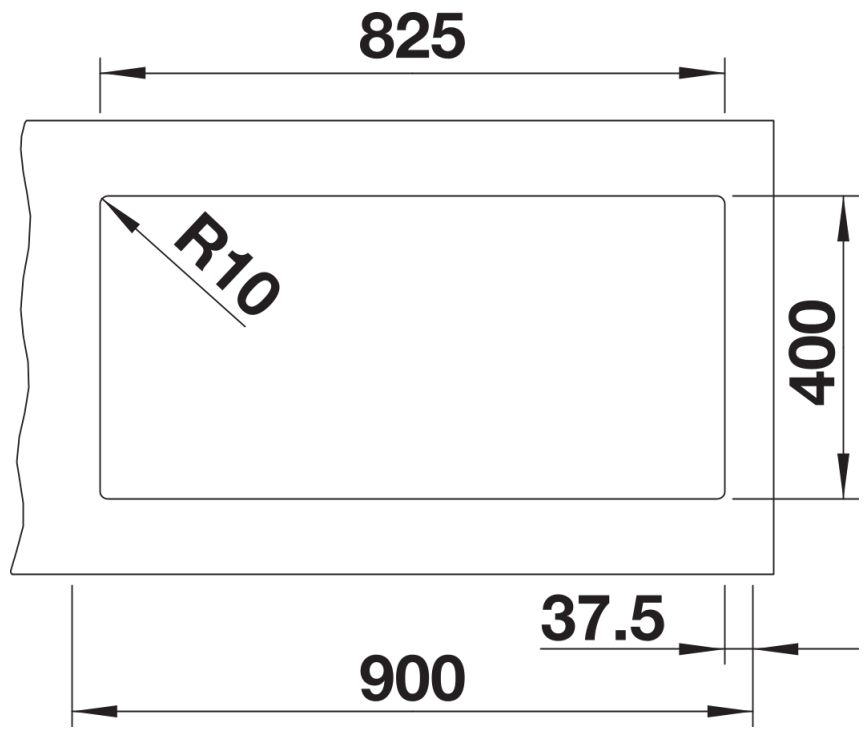
Scope of supply

- waste kit with space-saving pipe
- waste connection
- 2 x 3 ½" InFino basket strainer
- fixing kit

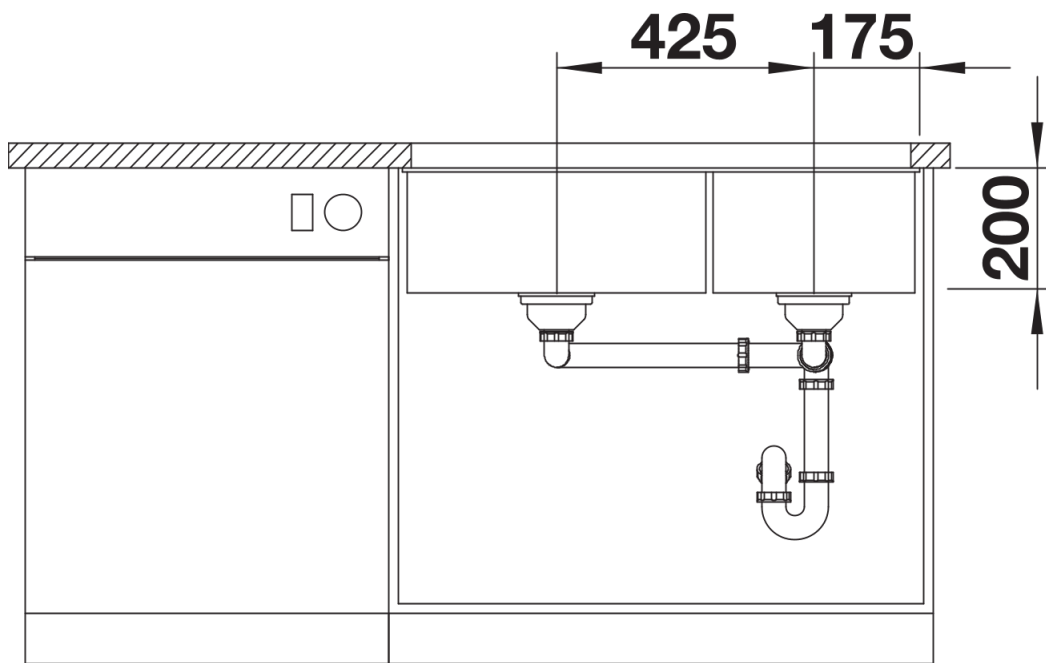
Details



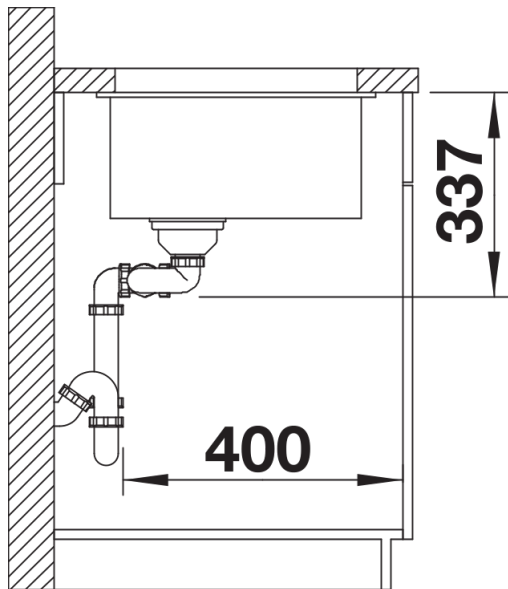
Top view



Cut-out



Front view



Side view