

Product information sheet AXIA III 6 S-F

Item no. 523490

Benefits



- Smooth, ergonomic work flow along two axis
- Design that is notable for clear lines and the ultra-narrow rim
- Tight radii for maximum utilisation of the surface and volume
- Movable cutting board for working directly into cooking dishes
- Multifunctional colander can also be freely positioned in the main bowl for easy food preparation
- High-quality features with drain remote control, covered C-overflow and InFino drain system – elegantly integrated and easy-care

Colours



Available colours:

- black
- anthracite
- rock grey
- volcano grey
- white
- soft white
- coffee

SILGRANIT rock grey

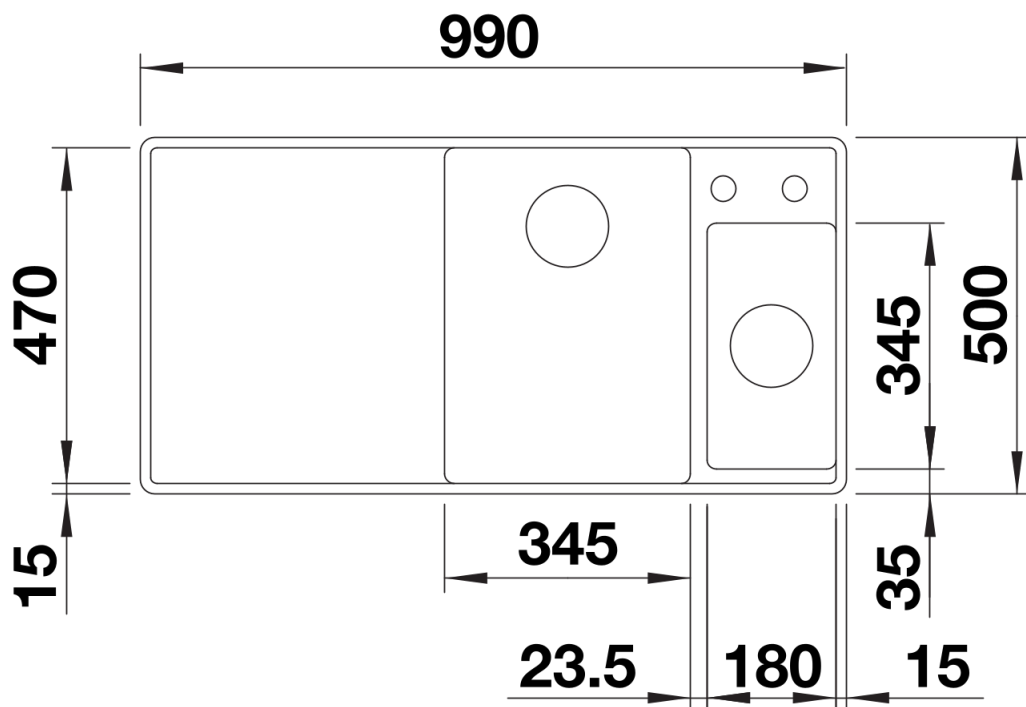
Scope of supply

- movable safety glass cutting board
- multifunctional stainless steel colander
- waste kit with space-saving pipe
- 2 x 3 ½" InFino basket strainer with drain remote control (rotary switch) for the main bowl

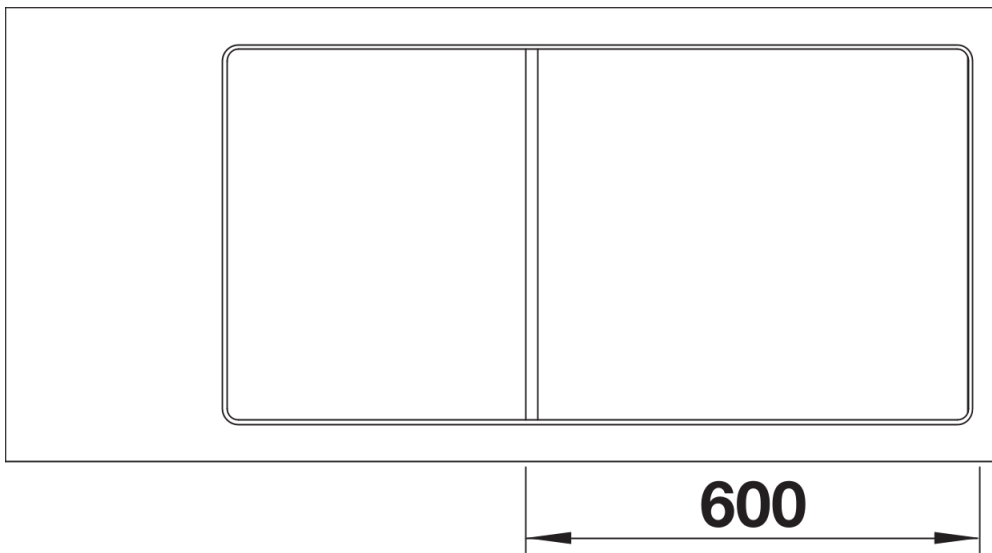
233739 - Multifunctional colander

234045 - Glass cutting board white

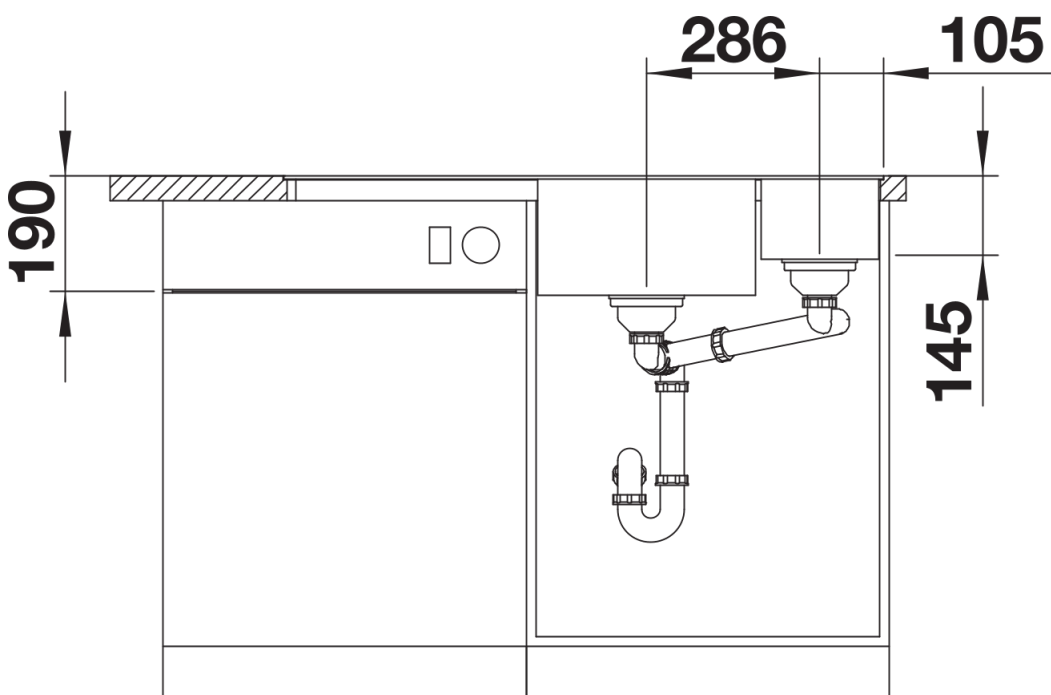
Details



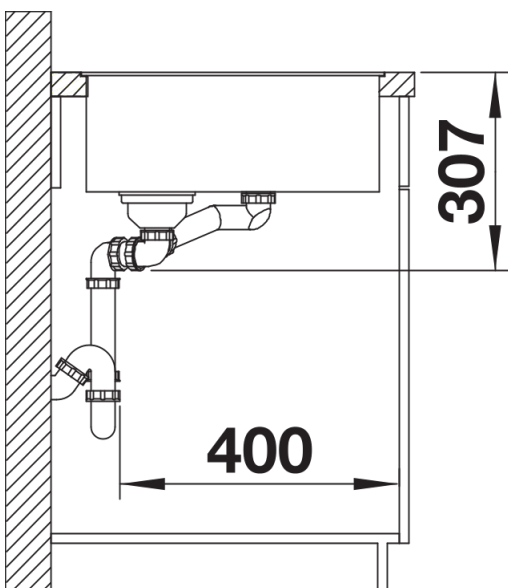
Top view



Cut-out



Front view



Side view