

Product information sheet SUBLINE 340/160-F

Item no. 525984

Benefits



- Bowls for modern kitchen designs
- Timelessly elegant, contoured bowl design
- High-quality features with covered C-overflow and InFino drain system – elegantly integrated and easy-care
- Optional versatile accessories are available

Colours



Available colours:

black
anthracite
rock grey
volcano grey
white
soft white
coffee

SILGRANIT black

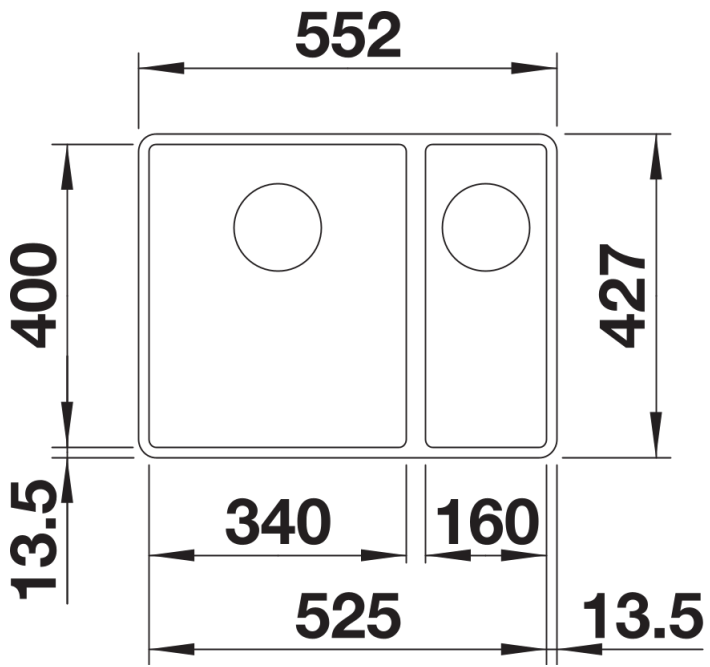
Planning information

- For worktop thicknesses of 15 mm and over, a space for the overflow must be cut out on the underside.
Model-related detailed dimensions and drawings can be found with the cut-out information online at www.blanco.com.

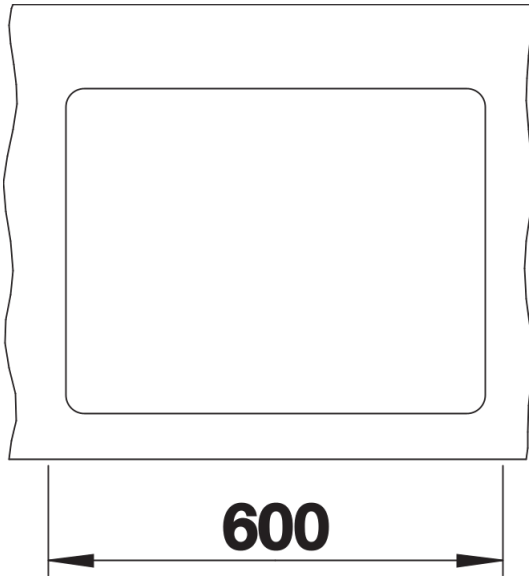
Scope of supply

- waste kit with space saving pipe
- waste connection
- 2 x 3 ½" InFino basket strainer

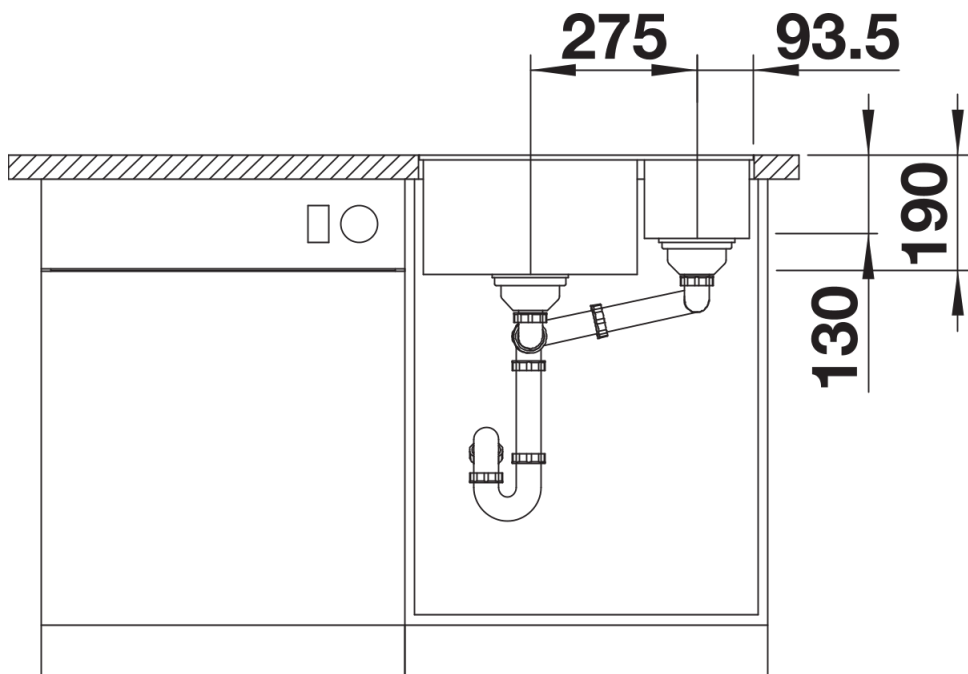
Details



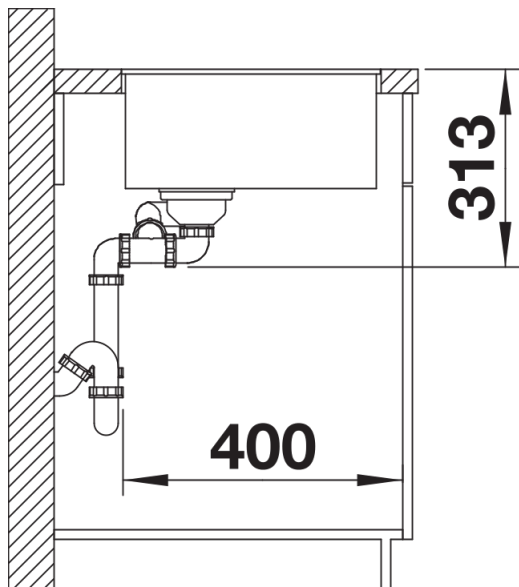
Top view



Cut-out



Front view



Side view