

Product information sheet AXIA III 6 S-F

Item no. 523483

Benefits



- Smooth, ergonomic work flow along two axis
- Design that is notable for clear lines and the ultra-narrow rim
- Tight radii for maximum utilisation of the surface and volume
- Movable chopping board for working directly into cooking dishes
- Multifunctional colander can also be freely positioned in the main bowl for easy food preparation
- High-quality features with drain remote control, covered C-overflow and InFino drain system – elegantly integrated and easy-care

Colours



Available colours:

black
anthracite
rock grey
volcano grey
white
soft white
coffee

SILGRANIT anthracite

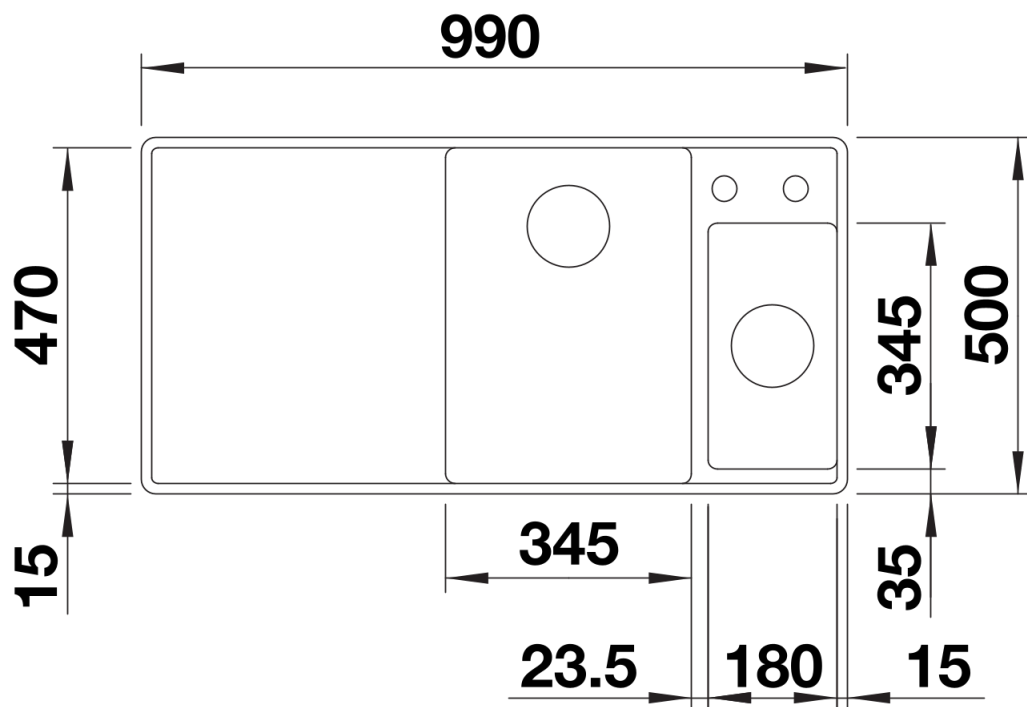
Scope of supply

- movable ash compound bridging chopping board
- multifunctional stainless steel colander
- waste kit with space-saving pipe
- 2 x 3 ½" InFino basket strainer with drain remote control (rotary switch) for the main bowl

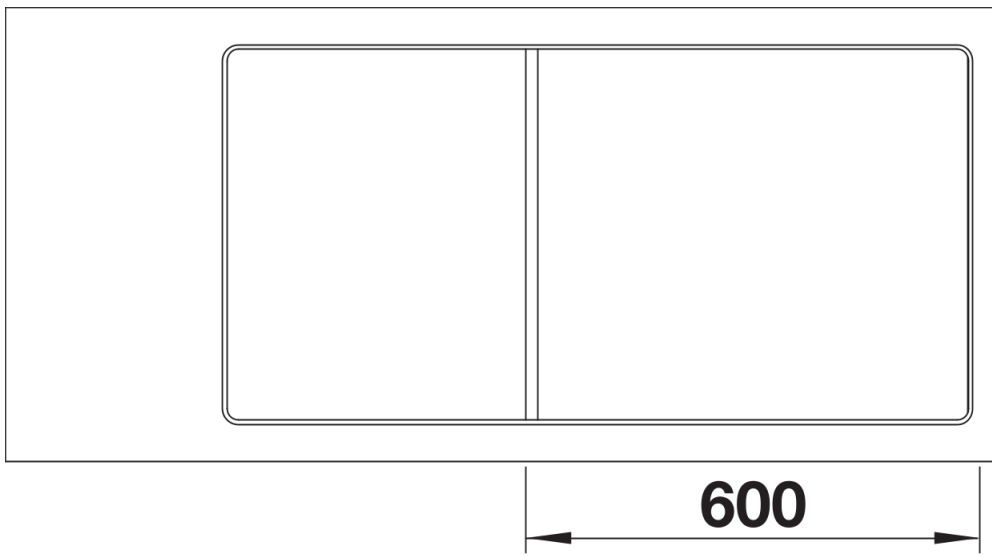
234051 - Ash compound bridging cutting board

233739 - Multifunctional colander

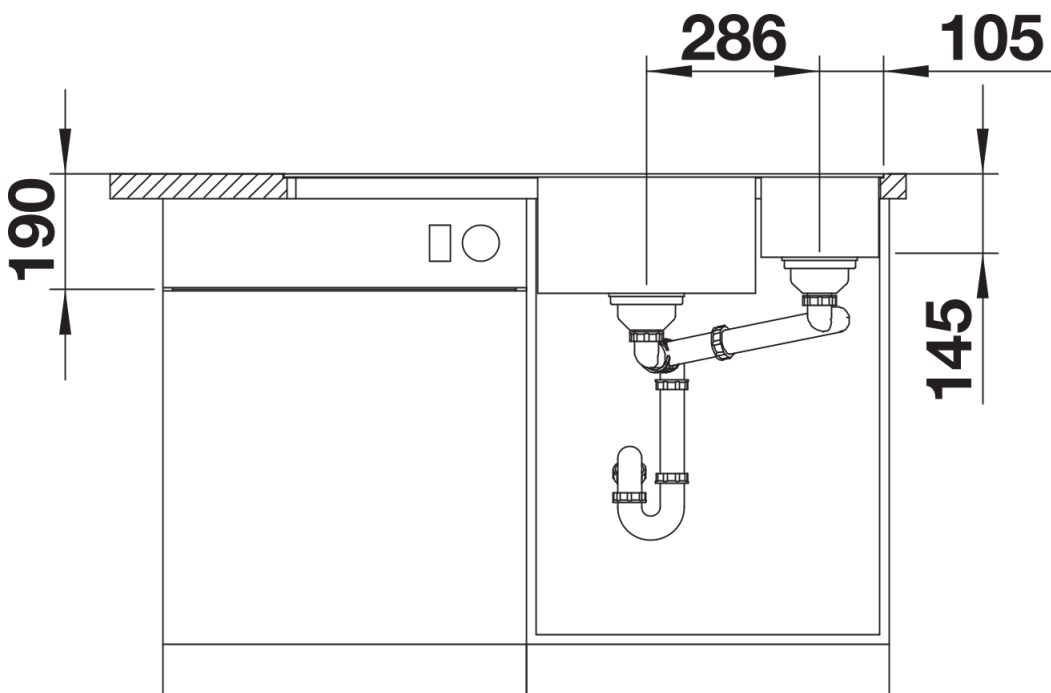
Details



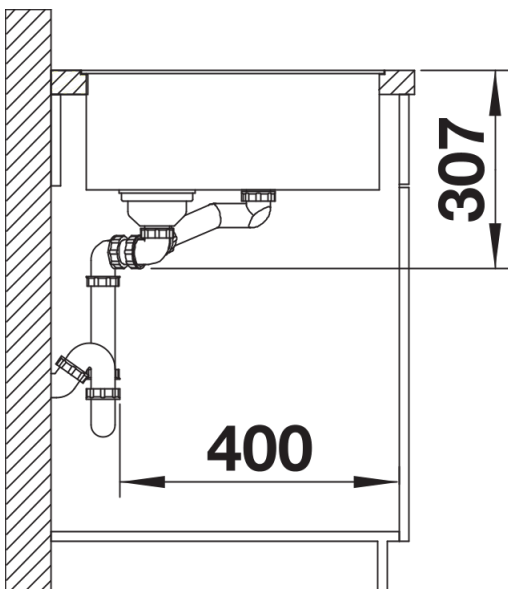
Top view



Cut-out



Front view



Side view