

## Product information sheet AXIA III 6 S-F

Item no. 523488

### Benefits

---



- Smooth, ergonomic work flow along two axis
- Design that is notable for clear lines and the ultra-narrow rim
- Tight radii for maximum utilisation of the surface and volume
- Movable chopping board for working directly into cooking dishes
- Multifunctional colander can also be freely positioned in the main bowl for easy food preparation
- High-quality features with drain remote control, covered C-overflow and InFino drain system – elegantly integrated and easy-care

## Colours

---



Available colours:

black  
anthracite  
rock grey  
volcano grey  
white  
soft white  
coffee

SILGRANIT coffee

## Scope of supply

---

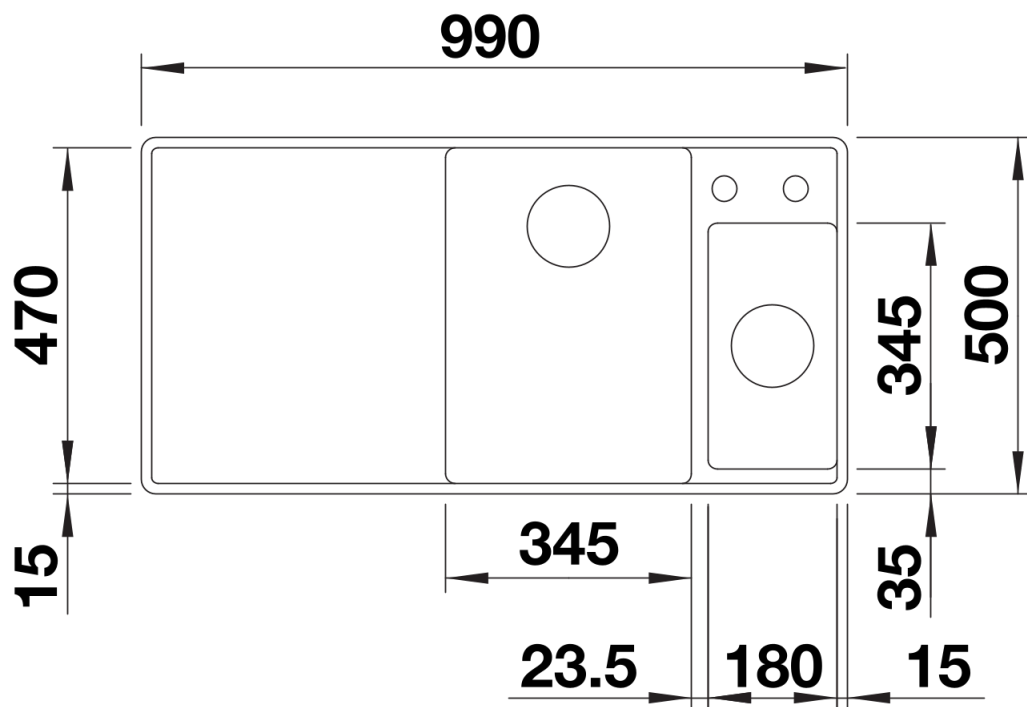
- movable ash compound bridging chopping board
- multifunctional stainless steel colander
- waste kit with space-saving pipe
- 2 x 3 ½" InFino basket strainer with drain remote control (rotary switch) for the main bowl

234051 - Ash compound bridging cutting board

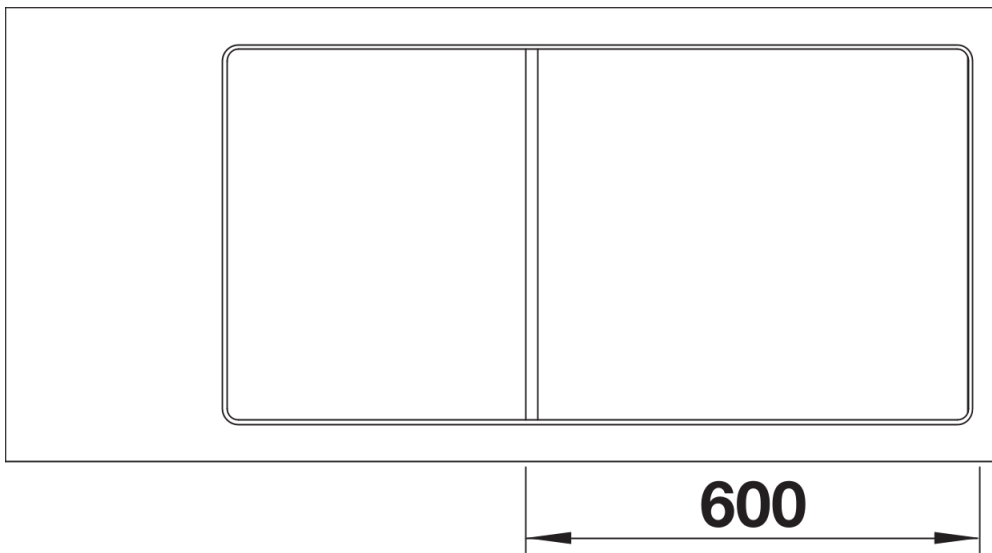
233739 - Multifunctional colander

## Details

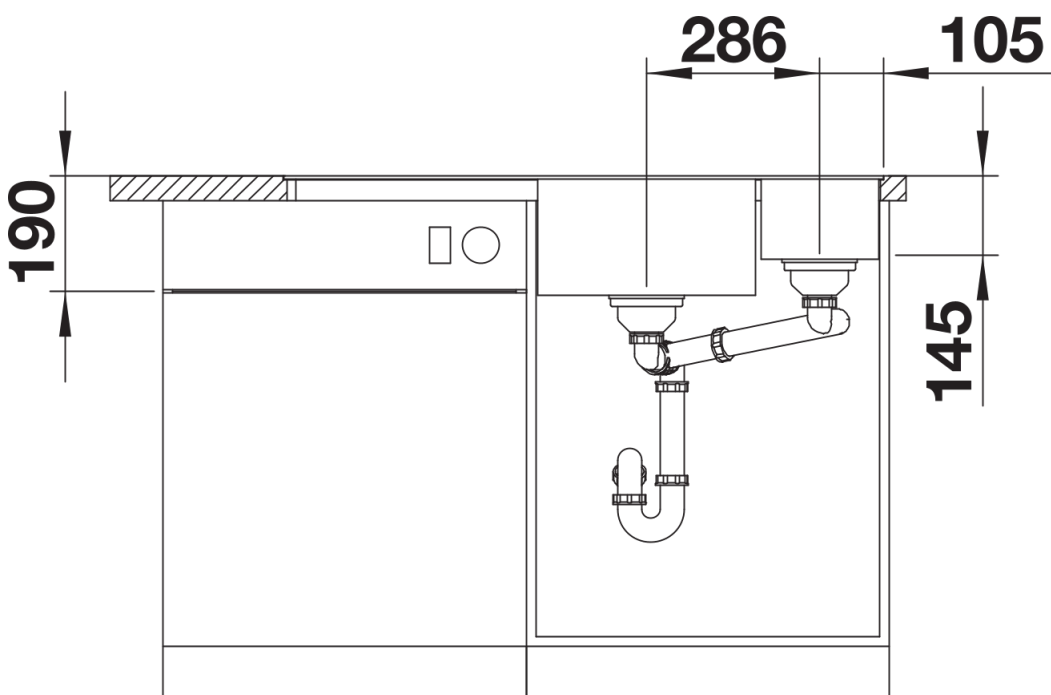
---



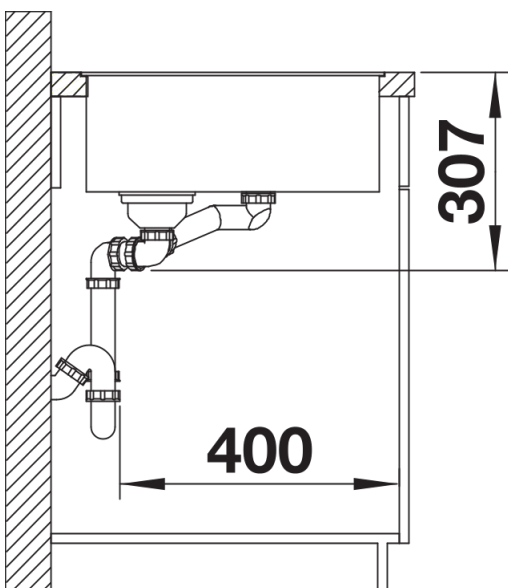
Top view



Cut-out



Front view



Side view