

Product information sheet ZENAR XL 6 S SteamerPlus

Item no. 526054

Benefits



- Convenient solution for a smooth work flow of food preparation for steam cooking
- Very large bowl with integrated ledge for hanging in steam containers
- Movable cutting board to work into GN containers on the ledge
- Spacious drainer for storing GN and XL steam containers
- Two perforated GN containers for steaming vegetables, meat, fish etc.
- High-quality features with drain remote control, covered C-overflow and InFino drain system – elegantly integrated and easy-care

Colours



SILGRANIT black

Available colours:

- black
- anthracite
- rock grey
- volcano grey
- alu metallic
- white
- soft white
- tartufo
- coffee

Scope of supply

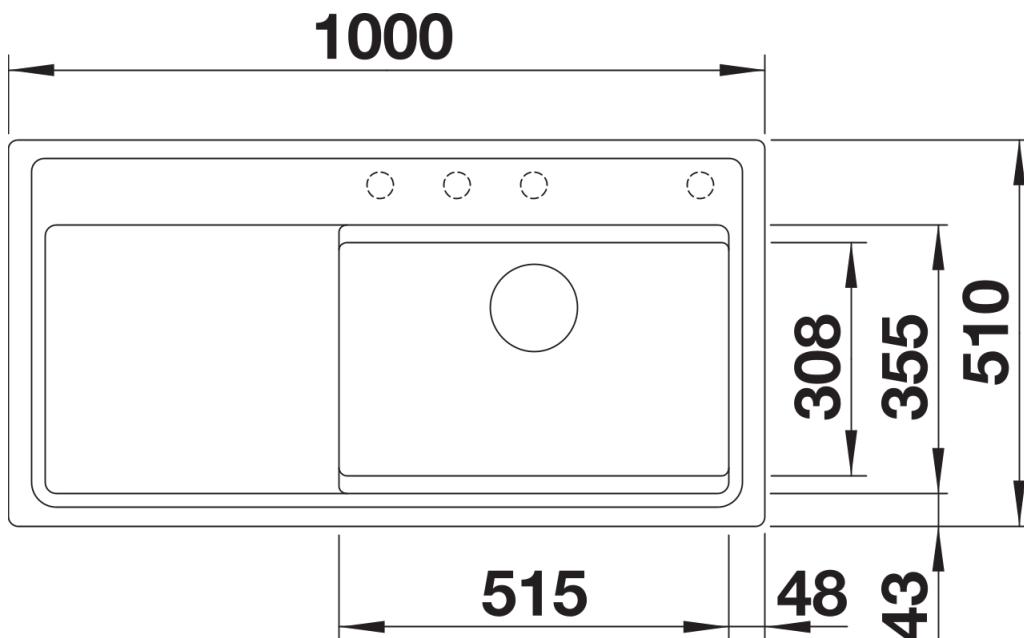
- ash compound chopping board
- perforated GN $\frac{1}{3}$ steam container
- perforated GN $\frac{1}{2}$ steam container
- waste kit with space-saving pipe
- 3 $\frac{1}{2}$ " InFino basket strainer with drain remote control (rotary switch)

1565814 - GN $\frac{1}{3}$ steam container in stainless steel

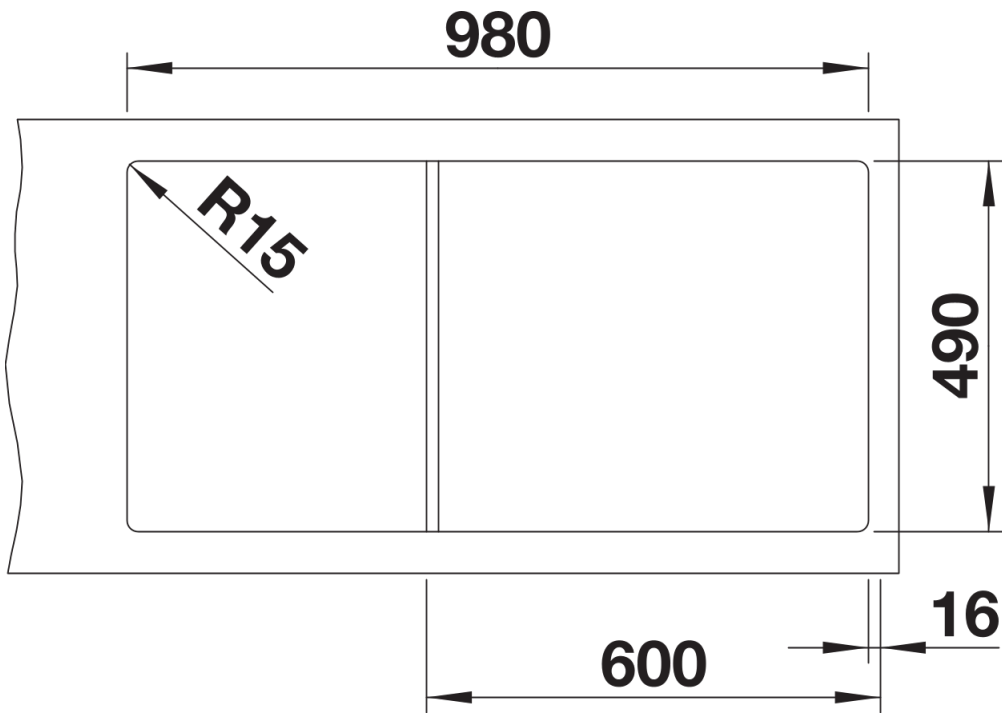
232791 - Ash compound chopping board

574343 - GN $\frac{1}{2}$ steam container in stainless steel

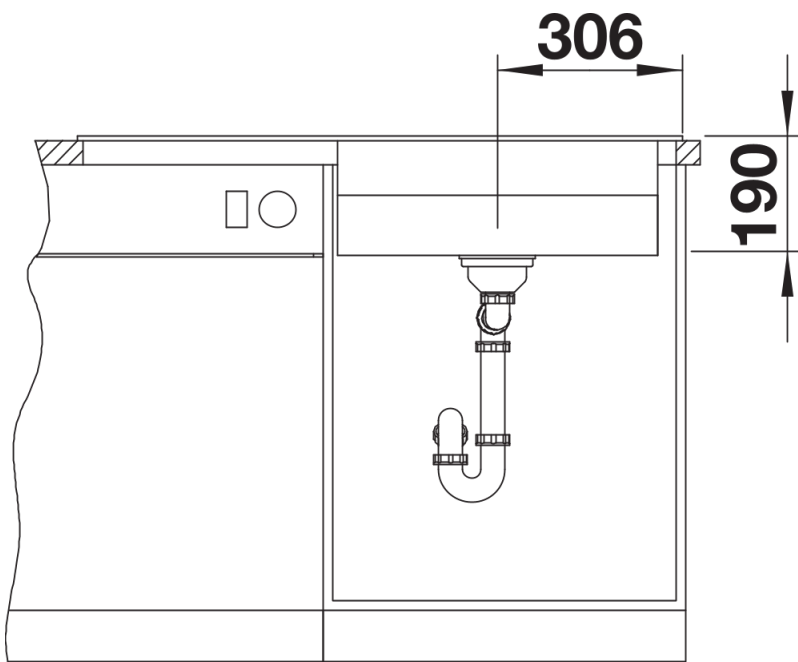
Details



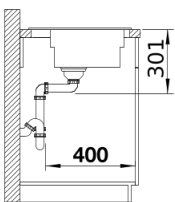
Top view



Cut-out



Front view



Side view