

## Product information sheet ZENAR 5 S-F

Item no. 526049

### Benefits

---



- Particularly large bowl with spacious draining board
- Tap ledge across the entire width offers plenty of space
- Functional area with flowing transition to draining board
- Optional functional accessories are available
- High-quality features with drain remote control, covered C-overflow and InFino drain system – elegantly integrated and extremely easy-care
- Flushmount version

### Colours

---



SILGRANIT black

#### Available colours:

- black
- anthracite
- rock grey
- volcano grey
- alu metallic
- white
- soft white
- coffee

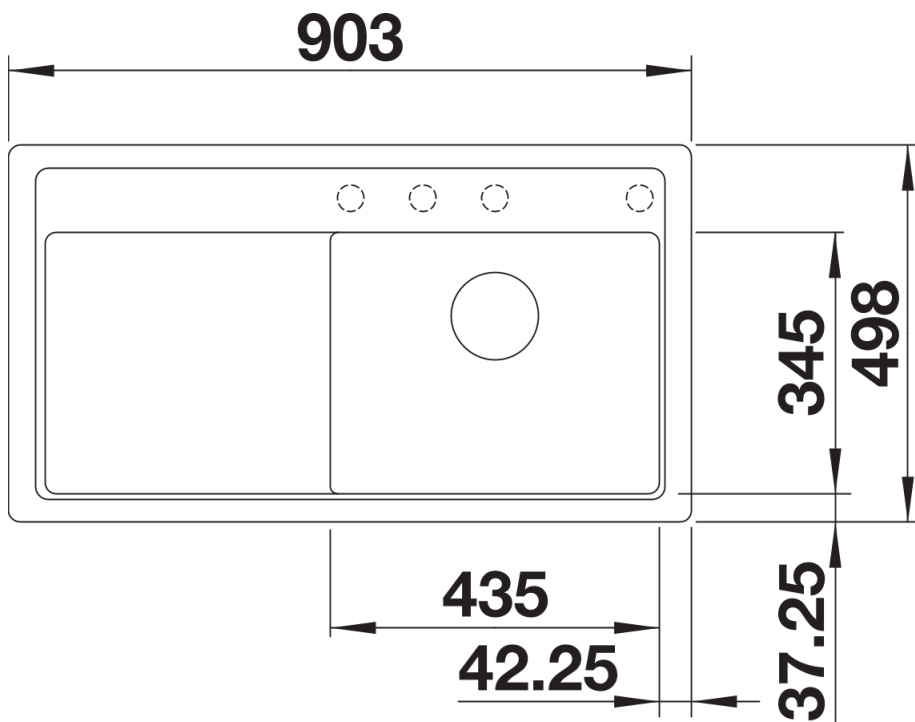
## Scope of supply

---

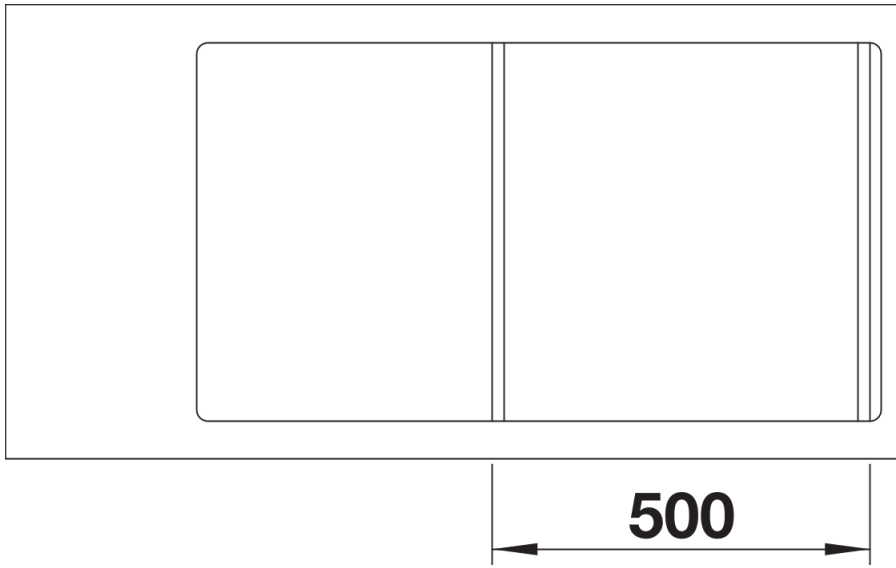
- waste kit with space-saving pipe
- 3 ½" InFino basket strainer with drain remote control (rotary switch)

## Details

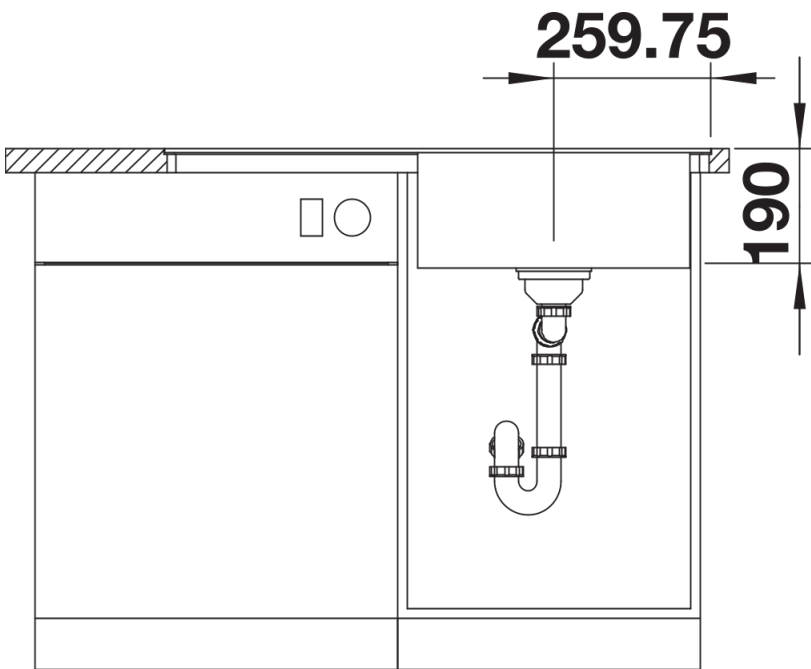
---



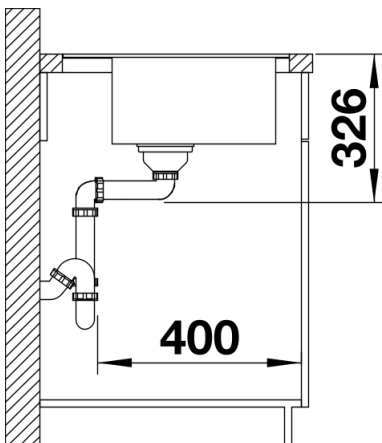
Top view



Cut-out



Front view



Side view