

## Product information sheet ZENAR XL 6 S-F

Item no. 523902

### Benefits

---



- Particularly large bowl with spacious draining board
- Tap ledge across the entire width offers plenty of space
- Functional area with flowing transition to draining board
- Optional functional accessories are available
- High-quality features with drain remote control, covered C-overflow and InFino drain system – elegantly integrated and extremely easy-care
- Flushmount version

## Colours

---



Available colours:

black  
anthracite  
rock grey  
volcano grey  
white  
soft white  
coffee

SILGRANIT anthracite

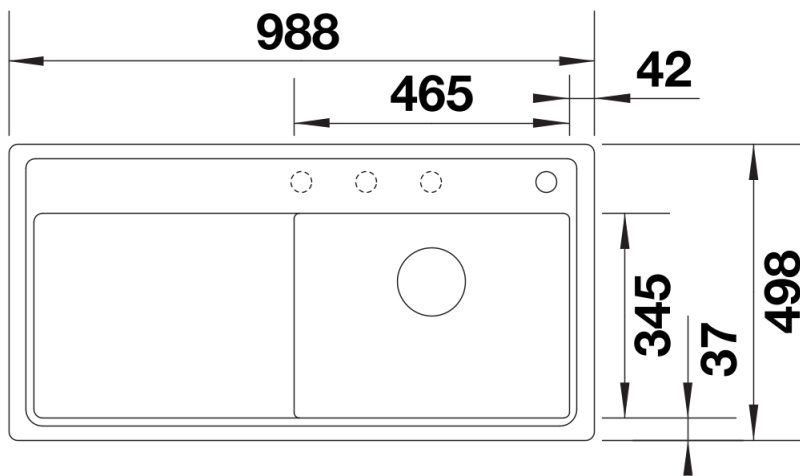
## Scope of supply

---

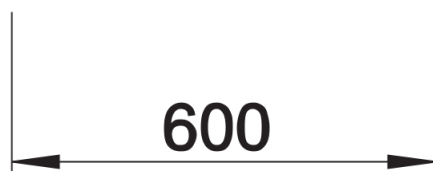
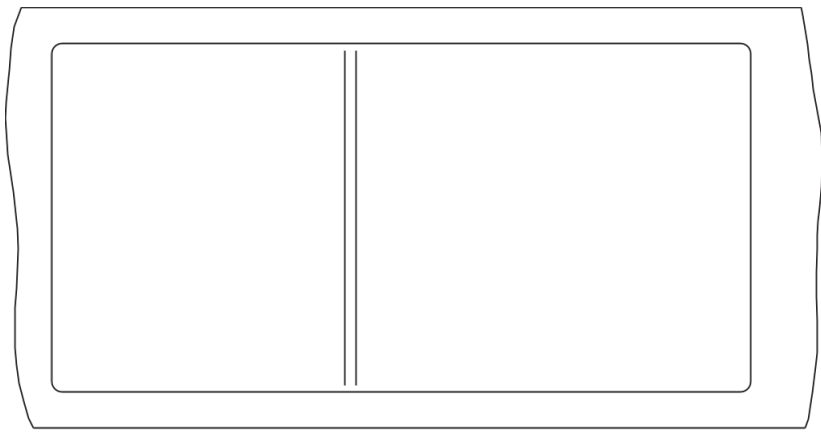
- waste kit with space-saving pipe
- 3 ½" InFino basket strainer with drain remote control (rotary switch)

## Details

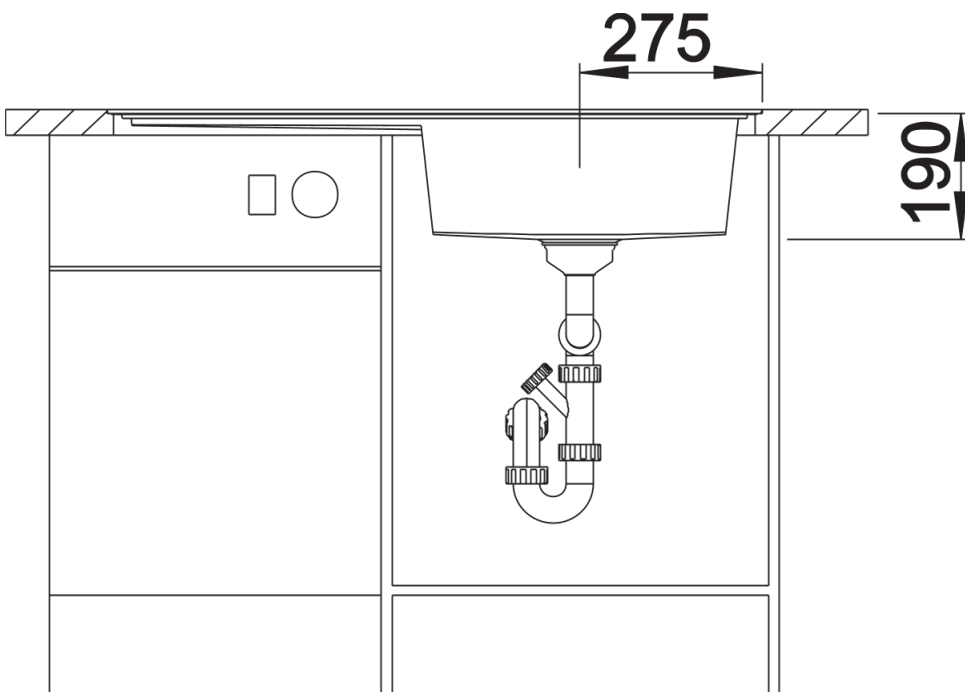
---



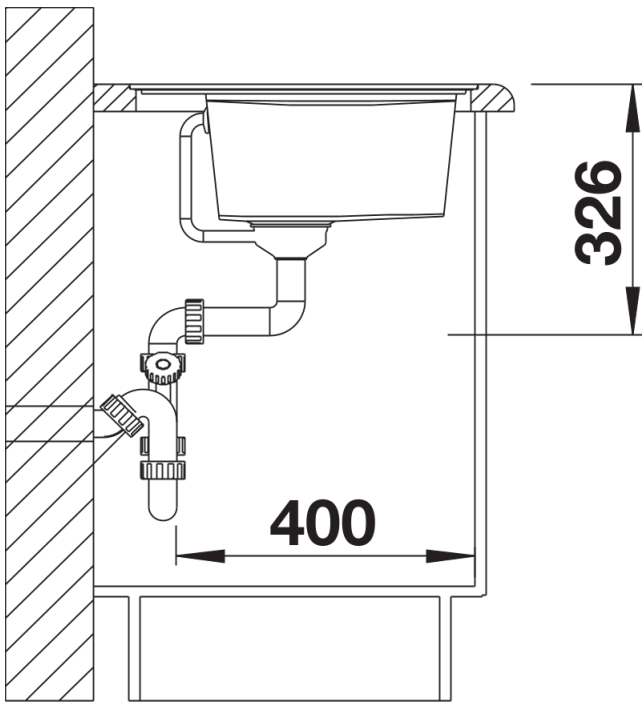
## Top view



Cut-out



Front view



Side view