

Product information sheet DINAS 8 S

Item no. 523376

Benefits

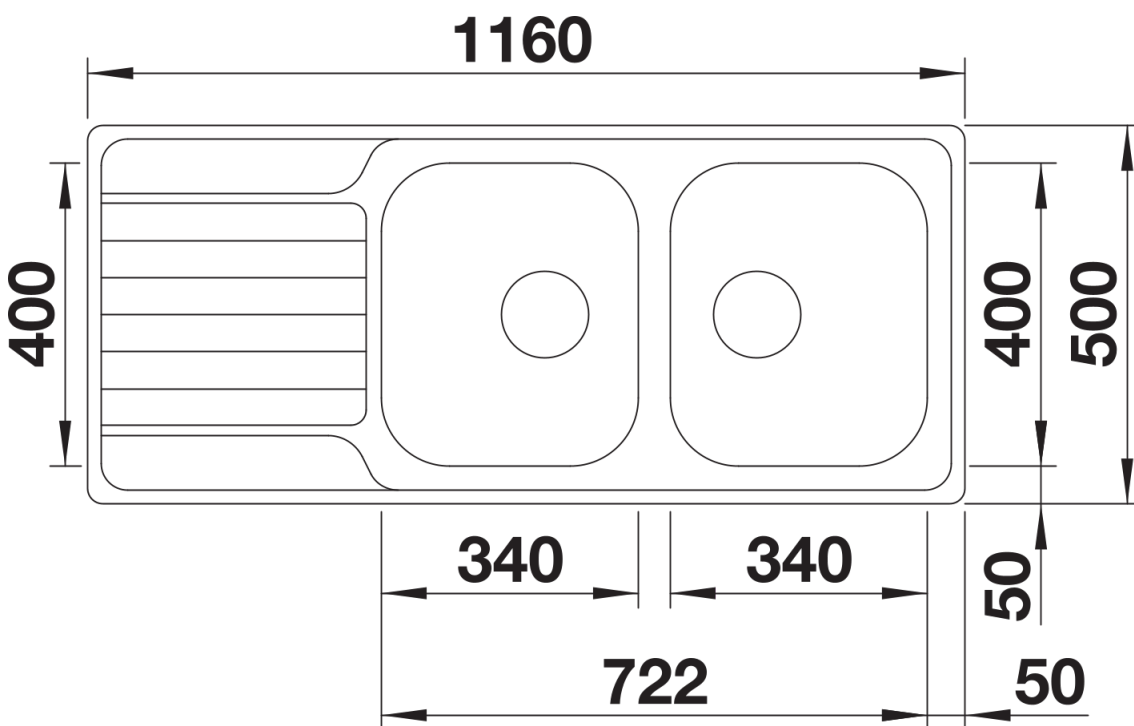


- Harmonious, timeless design
- With two roomy bowls
- Spacious draining area
- Can be installed reversibly
- 3 ½" basket strainer

Scope of supply

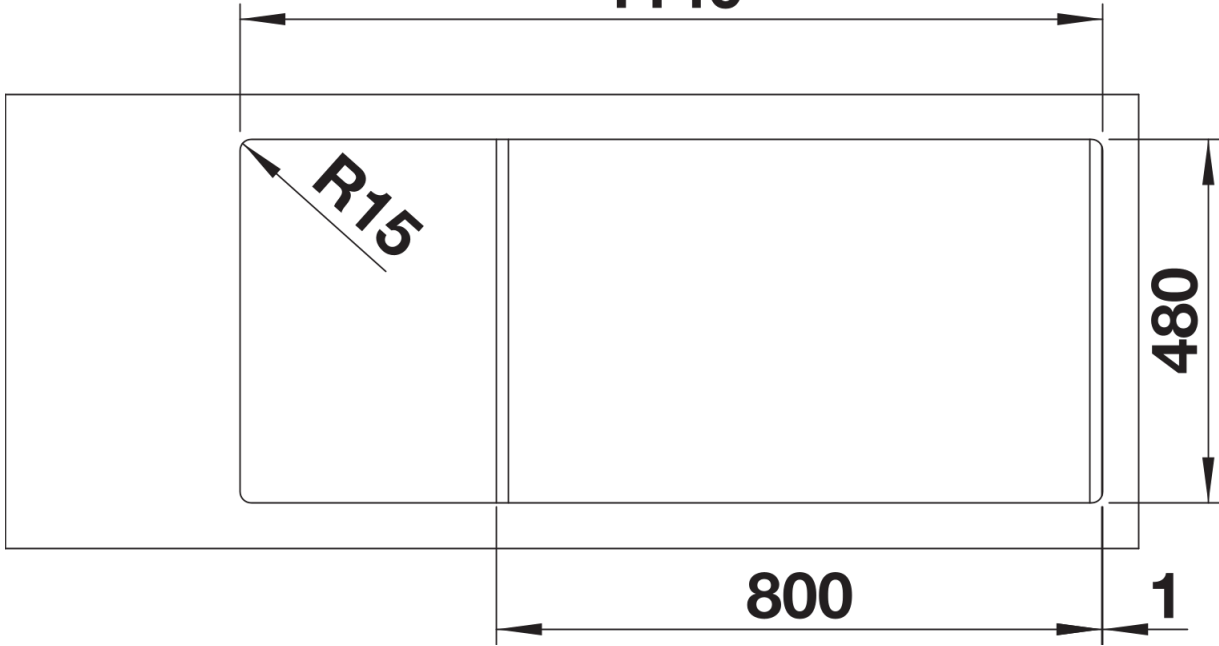
- waste kit with space-saving pipe
- 2 x 3 ½" basket strainer
- seal

Details



Top view

1140

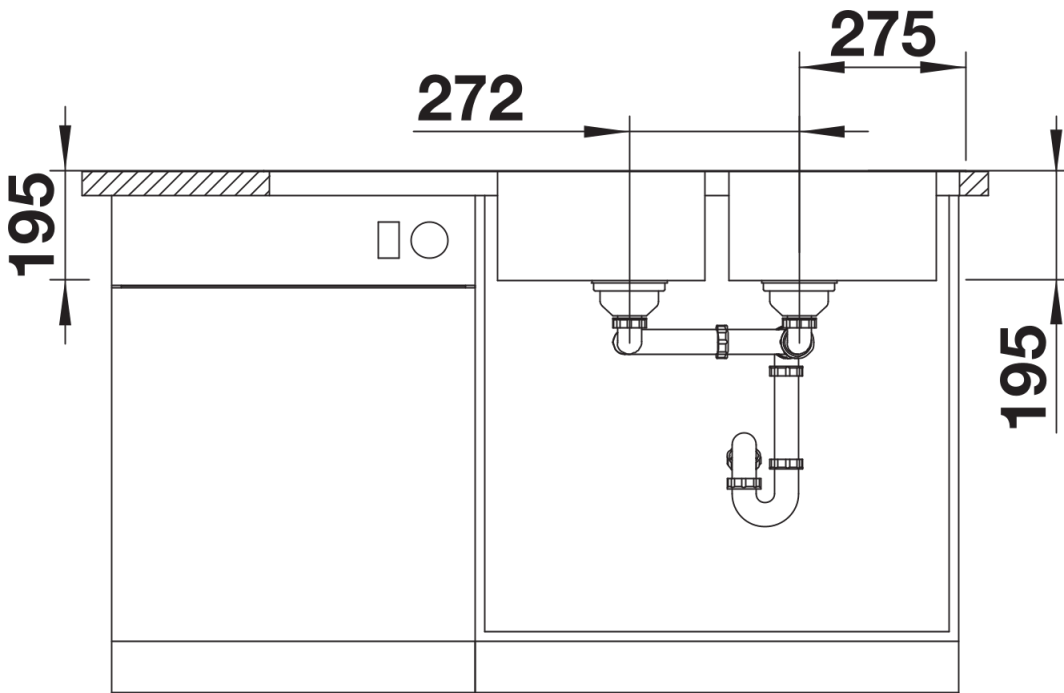


480

800

1

Cut-out



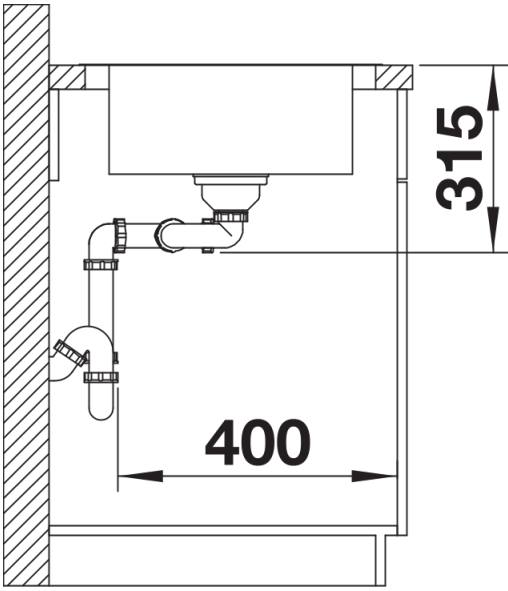
275

272

195

195

Front view



Side view