

## Product information sheet DINAS 6 S

Item no. 523379

### Benefits

---



- Harmonious, timeless design
- Roomy bowl plus half bowl
- Spacious draining area
- Can be installed reversibly
- 3 ½" basket strainer
- With remote control

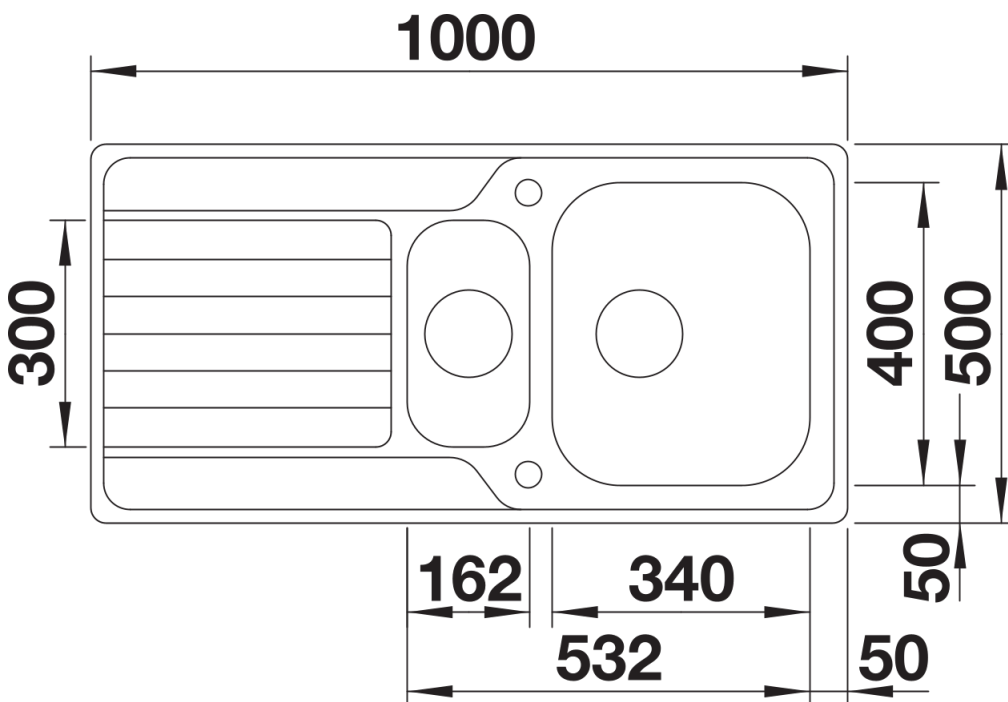
## Scope of supply

---

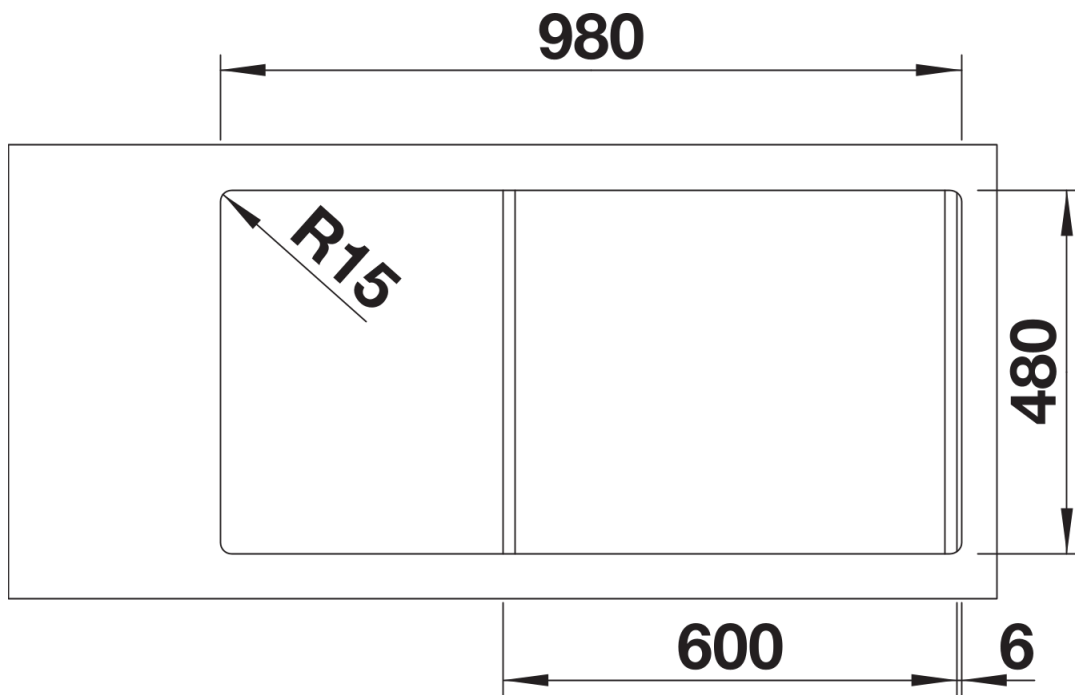
- waste kit with space-saving pipe
- 2 x 3 ½" basket strainer with drain remote control (rotary switch) for the main bowl
- seal

## Details

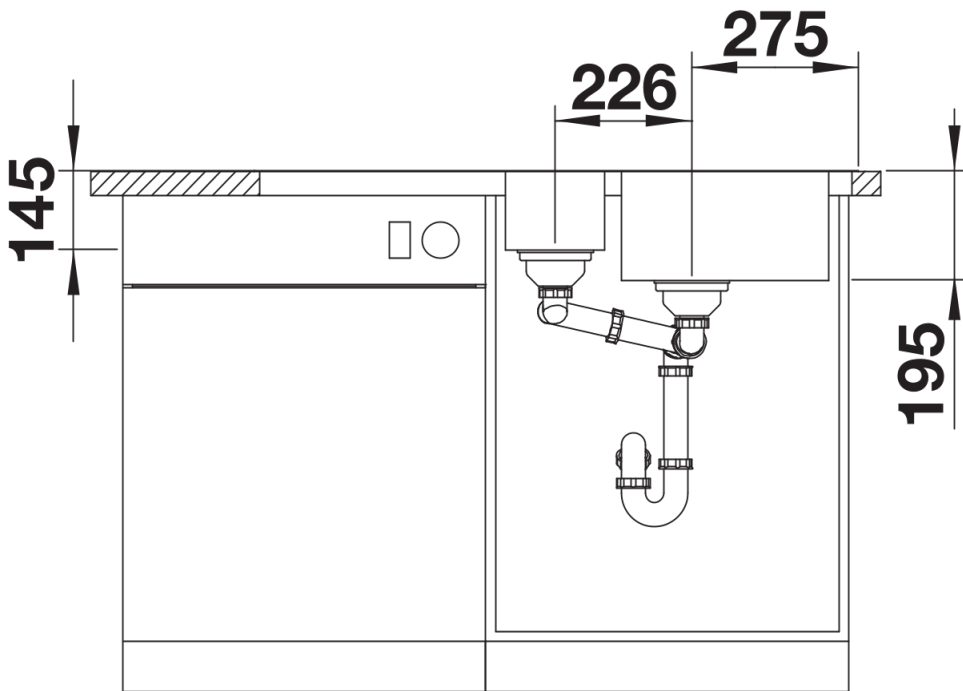
---



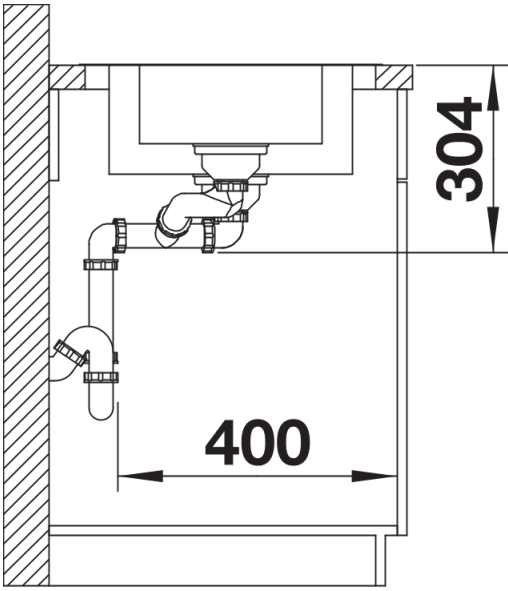
Top view



Cut-out



Front view



Side view