

Product information sheet DINAS 6 S

Item no. 523375

Benefits

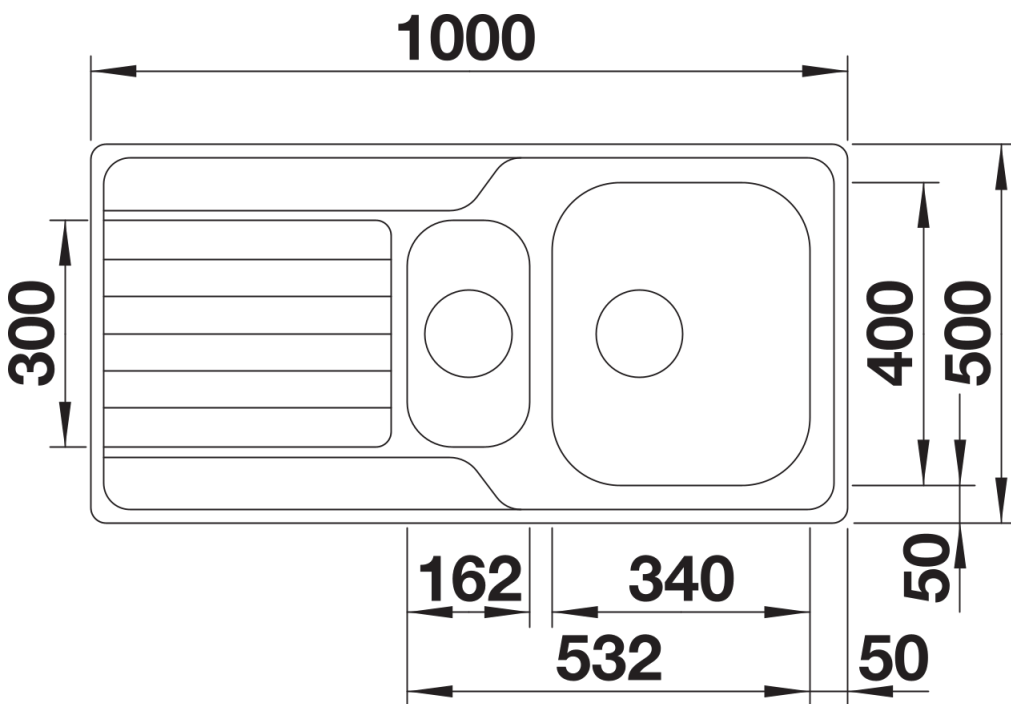


- Harmonious, timeless design
- Roomy bowl plus half bowl
- Spacious draining area
- Can be installed reversibly
- 3 ½" basket strainer

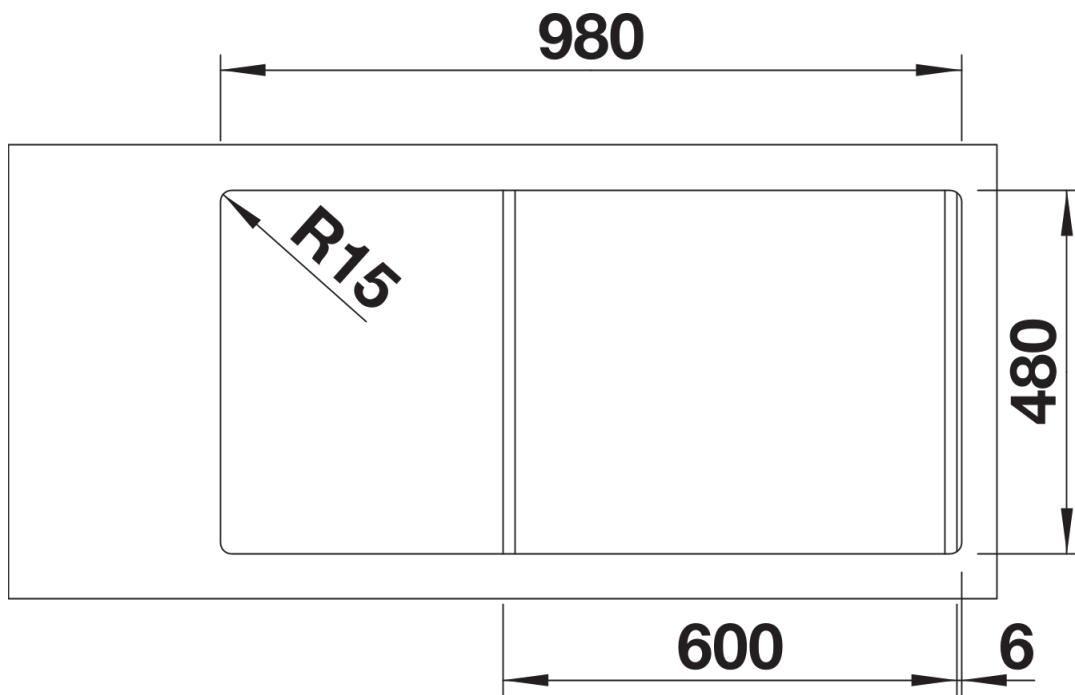
Scope of supply

- waste kit with space-saving pipe
- 2 x 3 ½" basket strainer
- seal

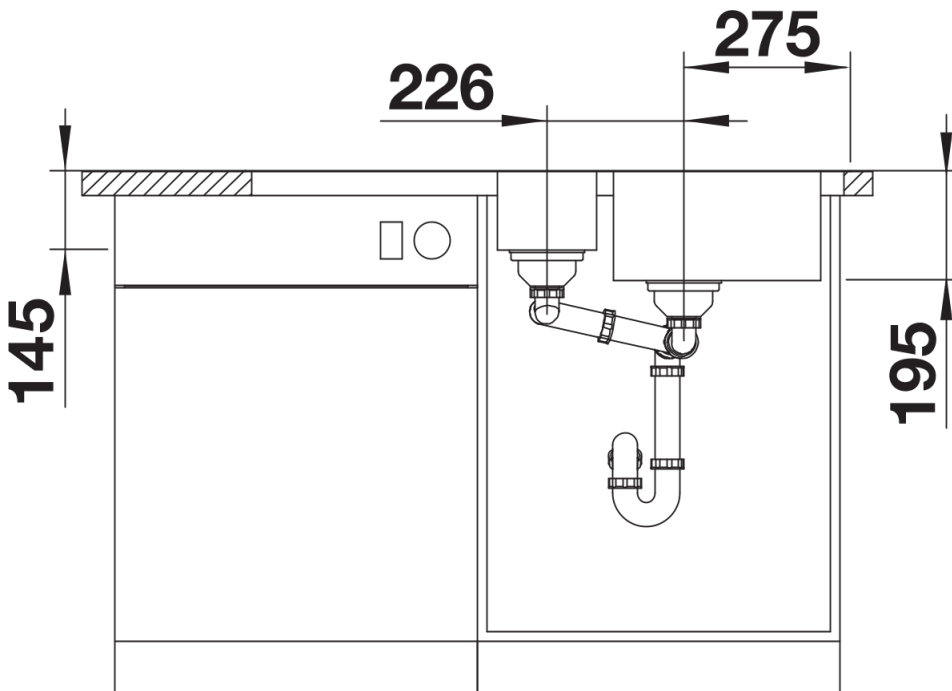
Details



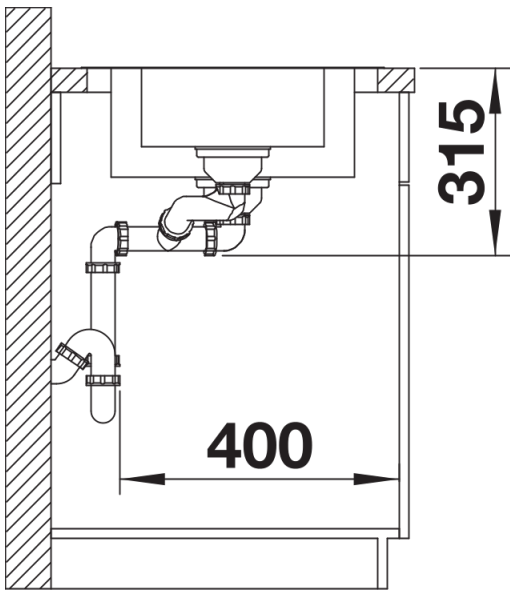
Top view



Cut-out



Front view



Side view