

Product information sheet FAVUM 45 S

Item no. 524227

Benefits



- Timeless, functional design with a clear linearity
- Large bowl and large drainer with a harmoniously integrated overflow
- Tight bowl radii for extended filling volume
- Large sink with small space requirement of 86 x 43.5 cm
- Can be installed reversibly

Colours



Available colours:

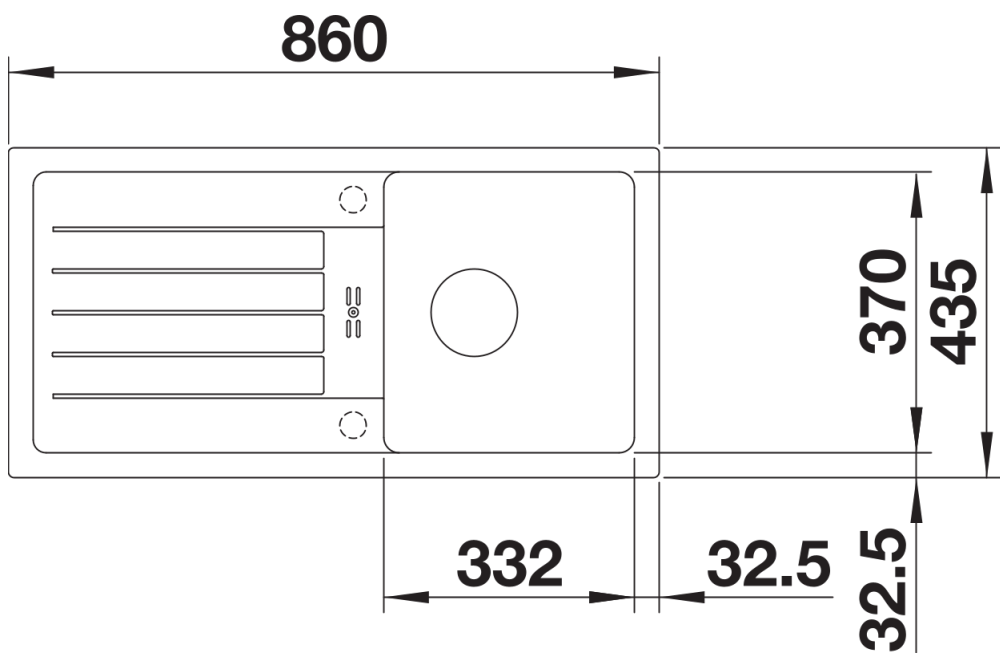
black
anthracite
volcano grey
white
soft white
coffee

SILGRANIT anthracite

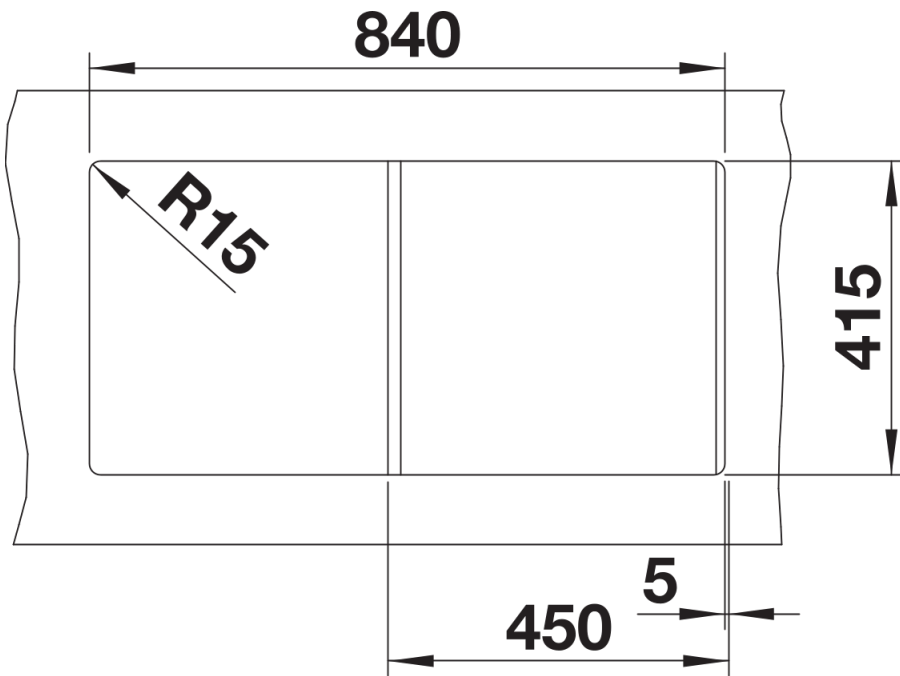
Scope of supply

- waste kit with space-saving pipe
- 3 1/2" basket strainer

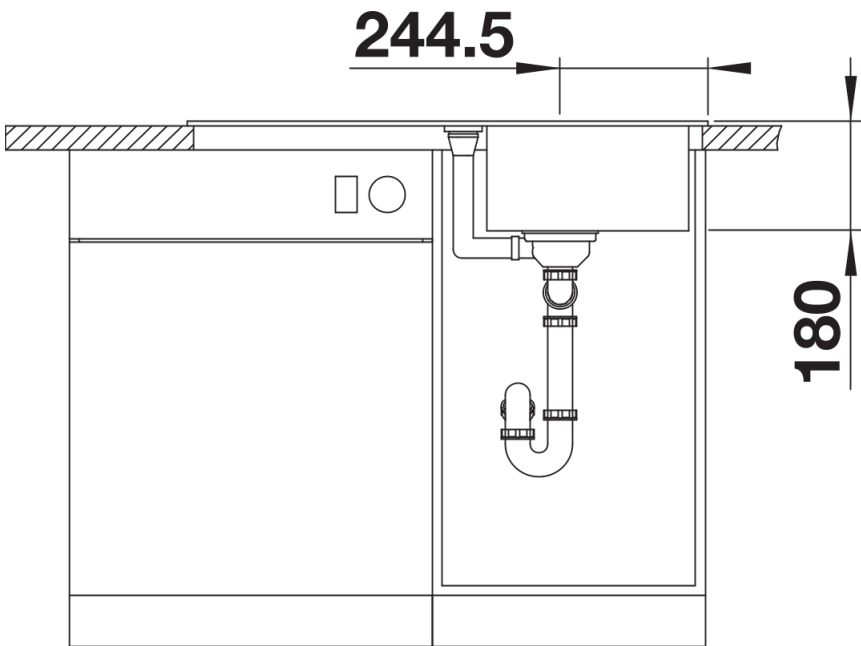
Details



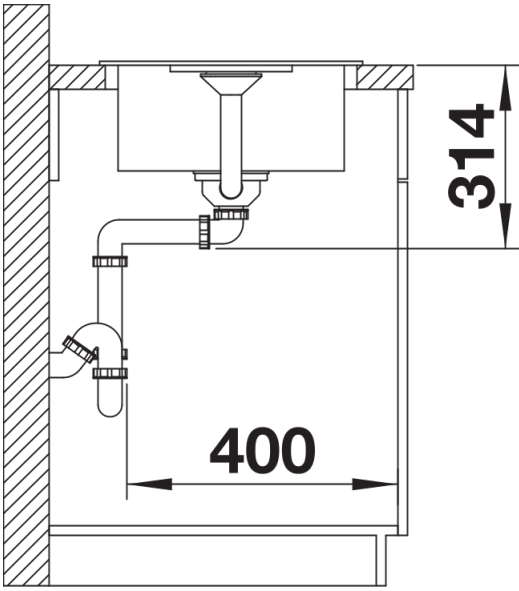
Top view



Cut-out



Front view



Side view