

Product information sheet SUBLINE 350/150-U

Item no. 523747

Benefits



- Large bowl capacity
- Mounting involves no additional expense
- Ceramic for easy care
- Timelessly elegant, contoured bowl design
- A wide range of optional accessories for added functionality
- InFino drain system – gracefully integrated and easy-care

Colours



Available colours:

- black
- basalt
- crystal white glossy
- magnolia glossy

Ceramic PuraPlus black

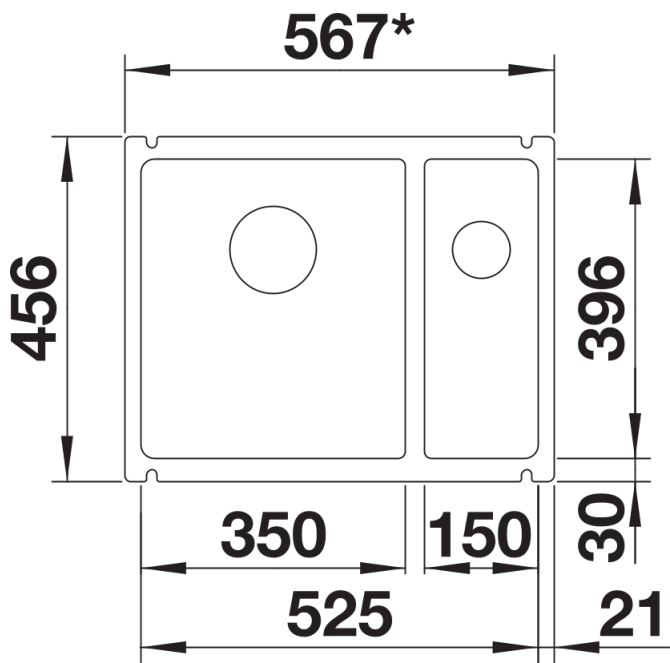
Planning information

- Cut-out radius: 15 mm
- Note: minimum worktop thickness 25 mm. Please follow the assembly instructions.
- * If necessary, cut out wall units.

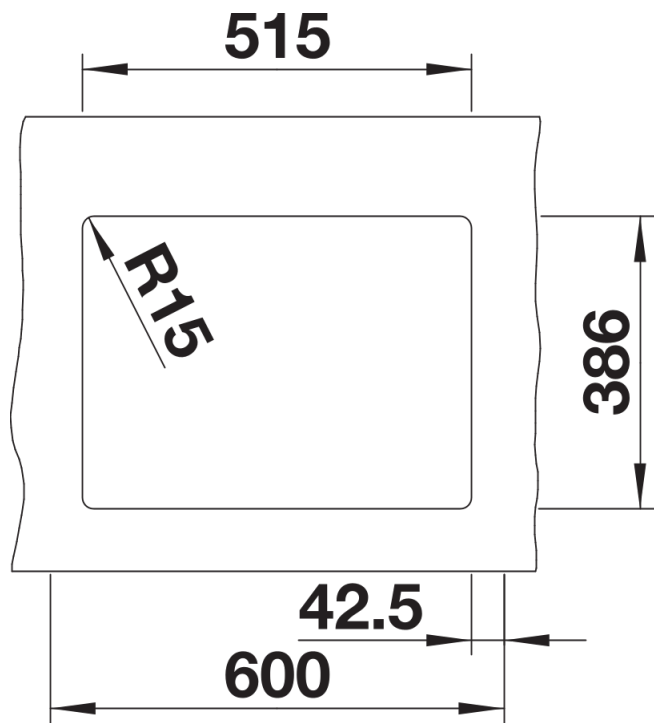
Scope of supply

- waste kit with space-saving pipe
- 3 ½" and 1 ½" InFino basket strainer
- fixing kit

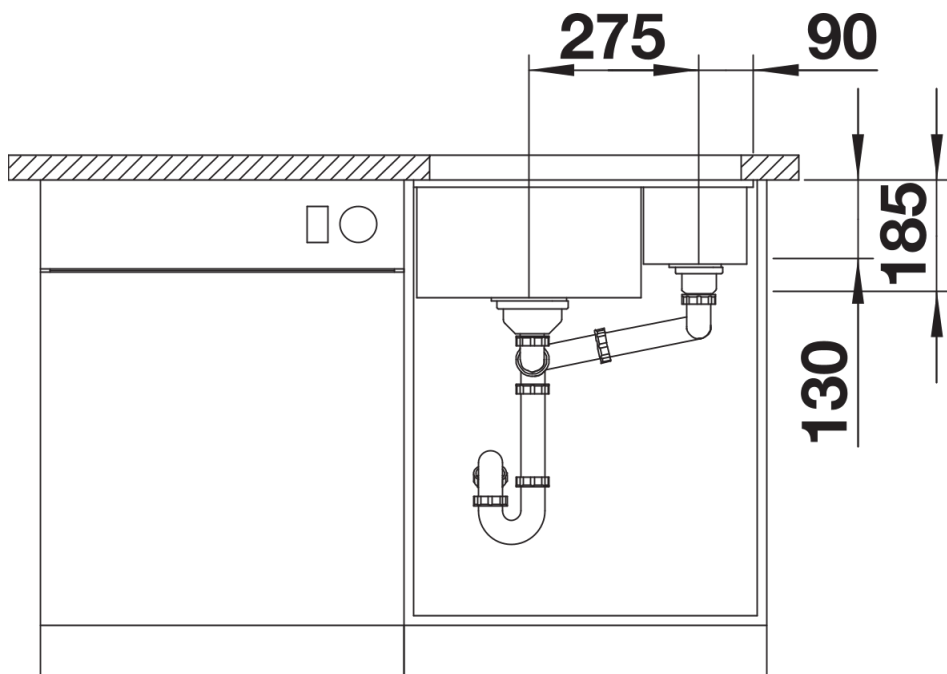
Details



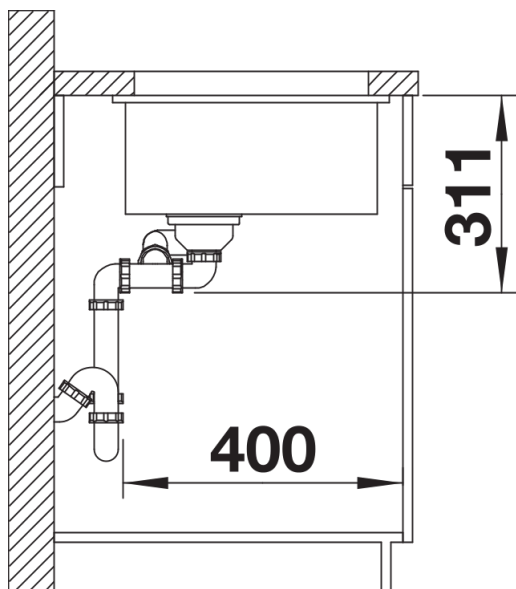
Top view



Cut-out



Front view



Side view