

## Product information sheet SUBLINE 350/150-U

Item no. 523746

### Benefits

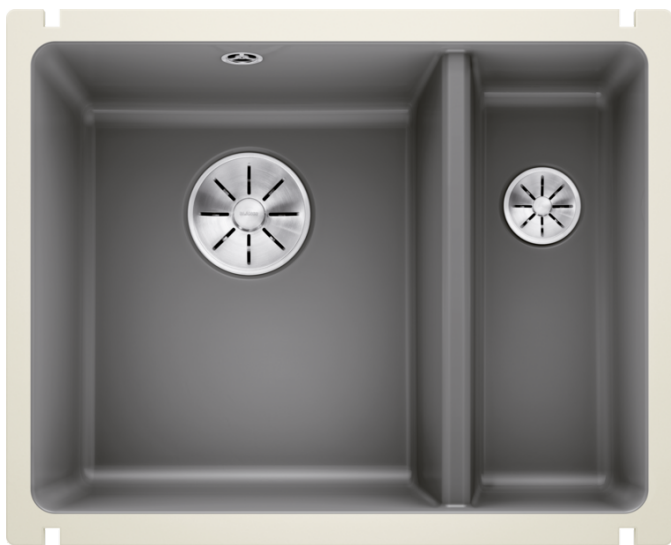
---



- Large bowl capacity
- Mounting involves no additional expense
- Ceramic for easy care
- Timelessly elegant, contoured bowl design
- A wide range of optional accessories for added functionality
- InFino drain system – gracefully integrated and easy-care

## Colours

---



Available colours:

black  
basalt  
crystal white glossy  
magnolia glossy

Ceramic PuraPlus basalt

## Planning information

---

- Cut-out radius: 15 mm  
Note: minimum worktop thickness 25 mm. Please follow the assembly instructions.  
\* If necessary, cut out wall units.

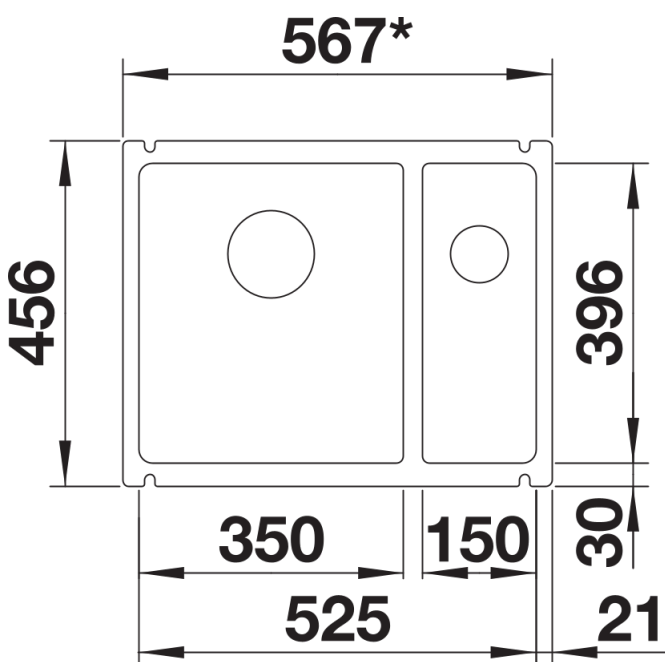
## Scope of supply

---

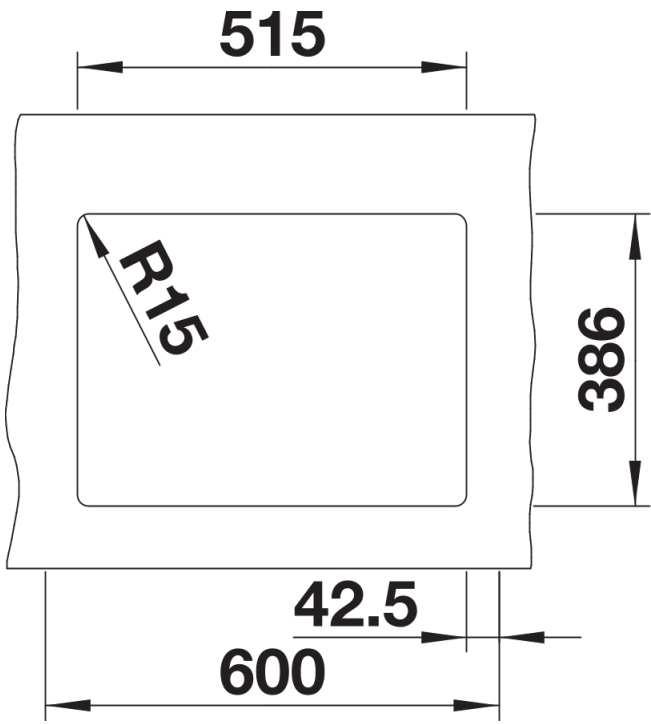
- waste kit with space-saving pipe
- 3 ½" and 1 ½" InFino basket strainer
- fixing kit

## Details

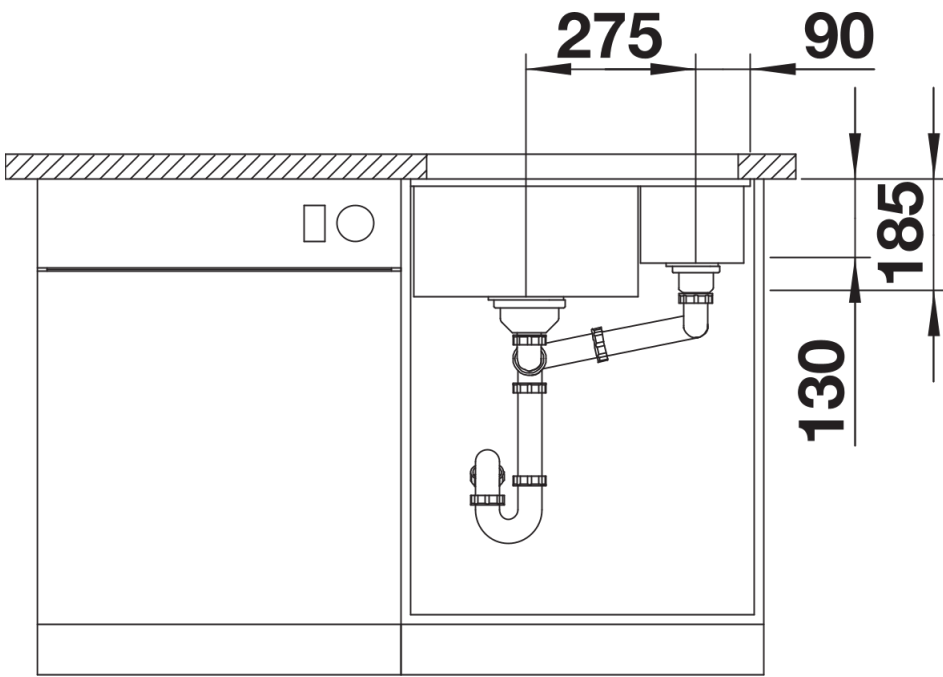
---



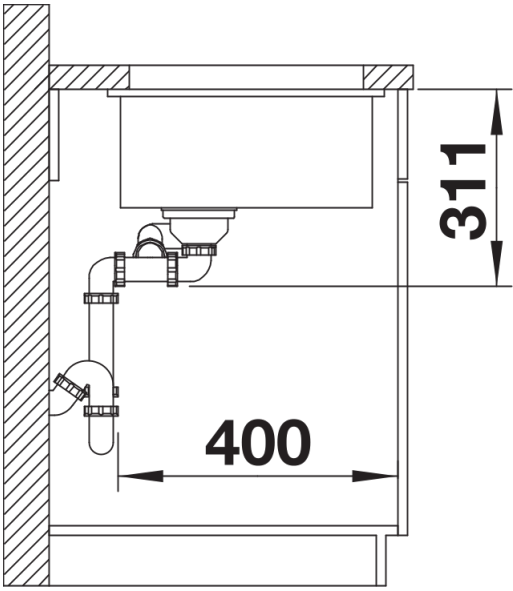
Top view



Cut-out



Front view



Side view