

## Product information sheet SUBLINE 500-U

Item no. 523740

### Benefits

---



- Large bowl capacity
- Mounting involves no additional expense
- Ceramic for easy care
- Timelessly elegant, contoured bowl design
- For cabinets from 60 cm
- A wide range of optional accessories for added functionality
- InFino drain system – gracefully integrated and easy-care

### Colours

---



Available colours:

- black
- basalt
- crystal white glossy
- magnolia glossy

Ceramic PuraPlus black

## Planning information

---

- Cut-out radius: 15 mm
- Note: minimum worktop thickness 25 mm. Please follow the assembly instructions.

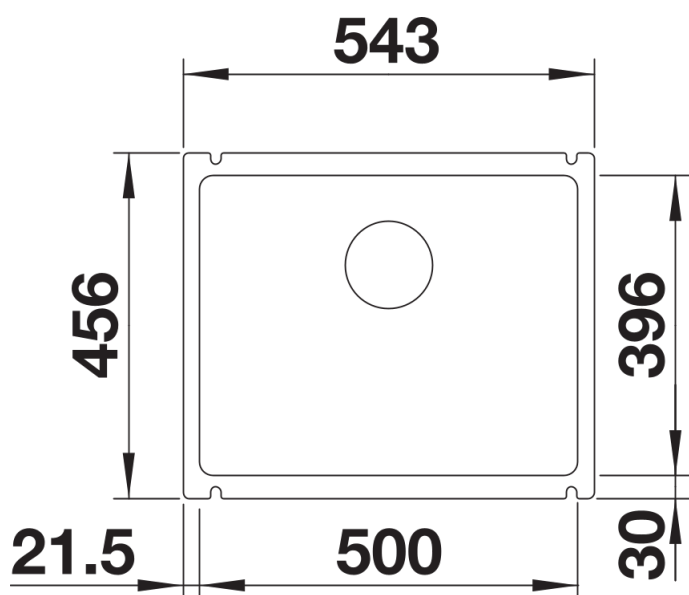
## Scope of supply

---

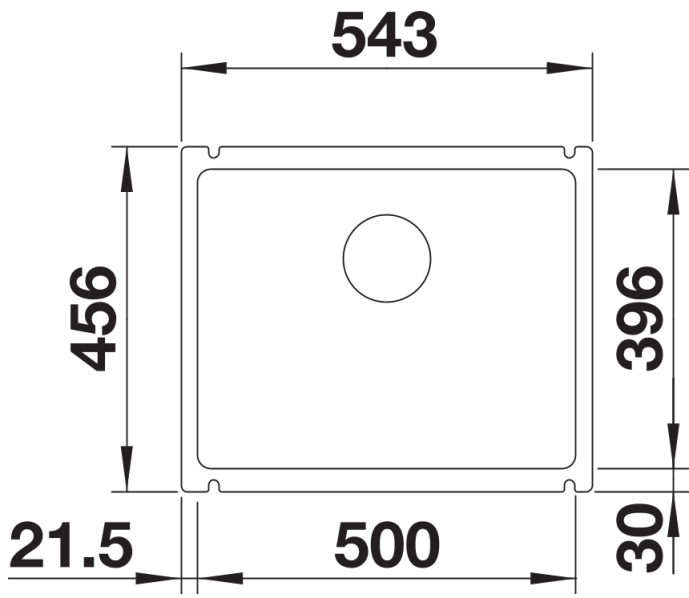
- waste kit with space-saving pipe
- 3 ½" InFino basket strainer
- fixing kit

## Details

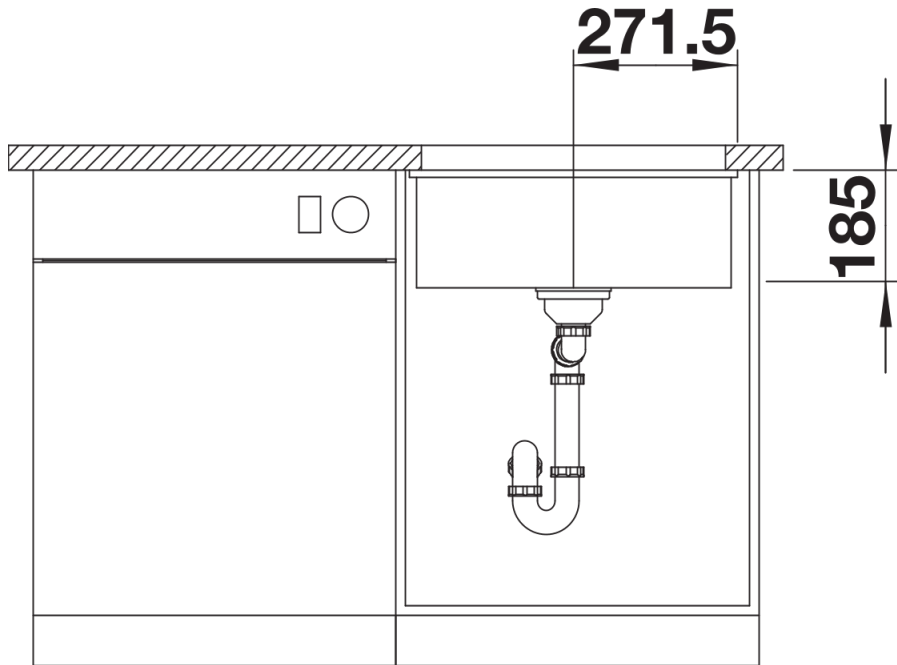
---



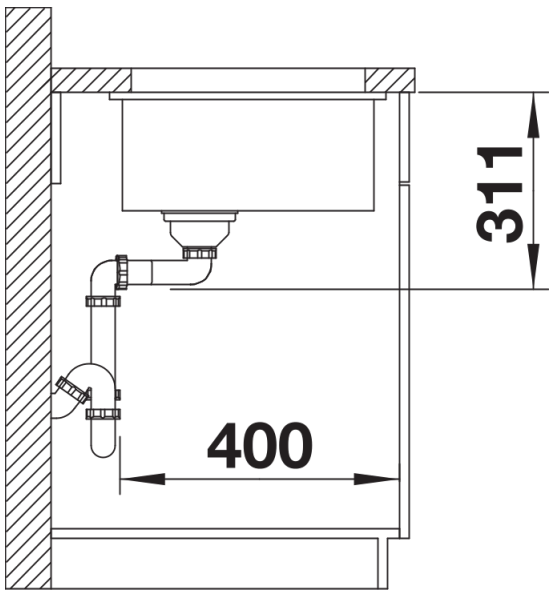
Top view



Cut-out



Front view



Side view