

Product information sheet PALONA 6

Item no. 524738

Benefits



- Puristic design for contemporary kitchen worlds
- Low-profile rim design
- Spacious, deep single bowl with continuous tap ledge
- Chopping board made of solid beech with two stable positioning options for flexible working, optional available
- Elegant and hygienic: the covered C-overflow™
- For the 60-cm base cabinet
- InFino™ drain system – gracefully integrated and easy-care

Colours



Available colours:

- black
- basalt
- crystal white glossy
- magnolia glossy

Ceramic PuraPlus™ black

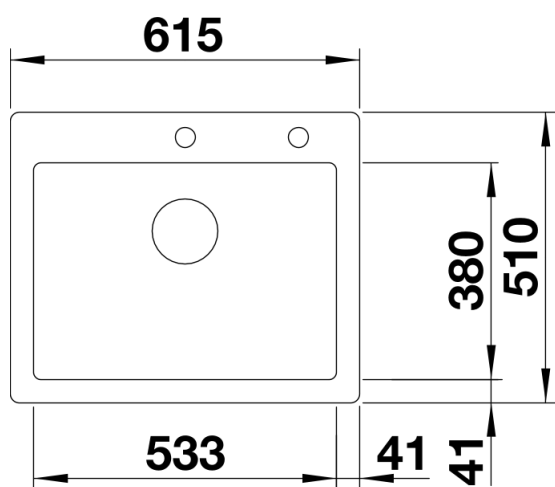
Planning information

- Holes for a kitchen mixer tap and drain remote control are provided.
- Installing a kitchen mixer tap or drain remote control in Ceramic sinks requires a flexible sealing tape, item no. 120 055.
- Includes: two tap holes, drain remote control and PuraPlus™ coating.

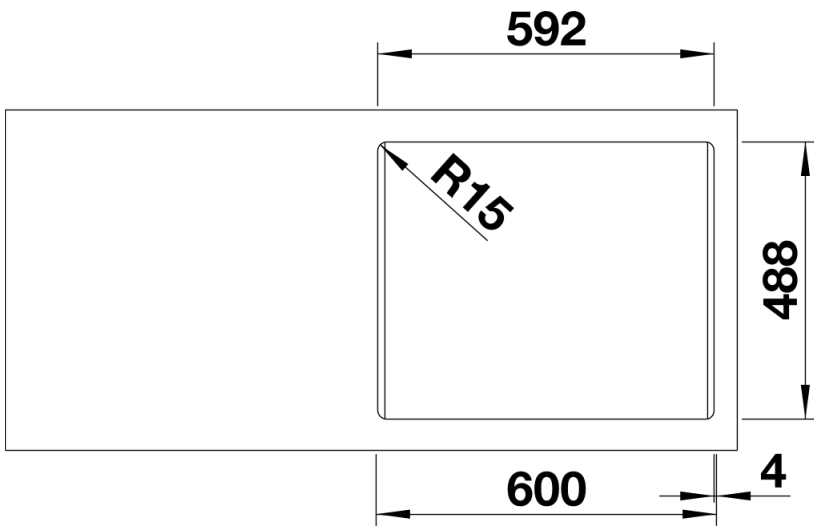
Scope of supply

- waste kit with space-saving pipe, 3 1/2" InFino™ basket strainer with drain remote control (pop-up)

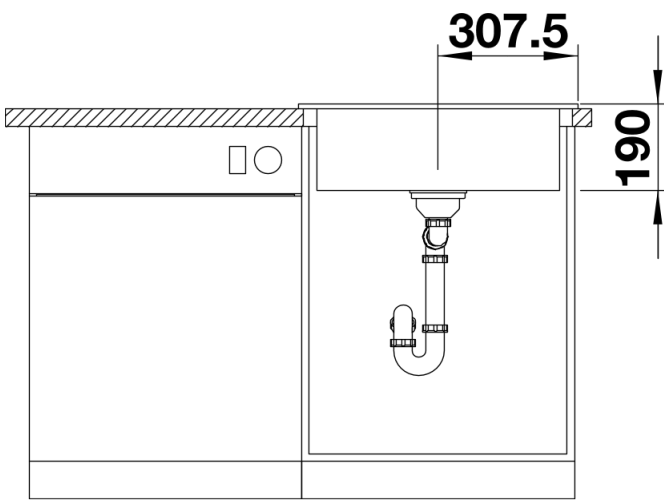
Details



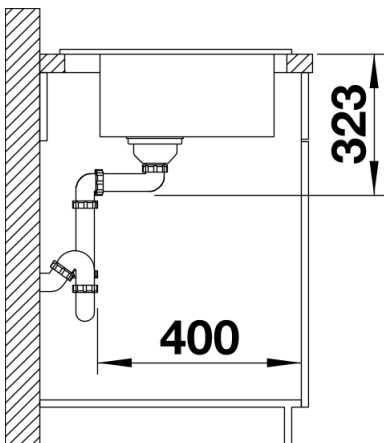
Top view



Cut-out



Front view



Side view