

Product information sheet ANDANO XL 6 S-IF

Item no. 522999

Benefits



- Elegant modern design with multifunctional elements
- High quality features consisting of a covered C-overflow™ and InFino™ drain system – gracefully integrated and easy-care
- Large bowl capacity and fully utilisable base
- Hang-in colander integrates flush in the sink design
- Lateral tap ledge - easily accessible and practical, also for window installations
- Sliding glass cutting board in velvety matt night blue (optional)

Planning information

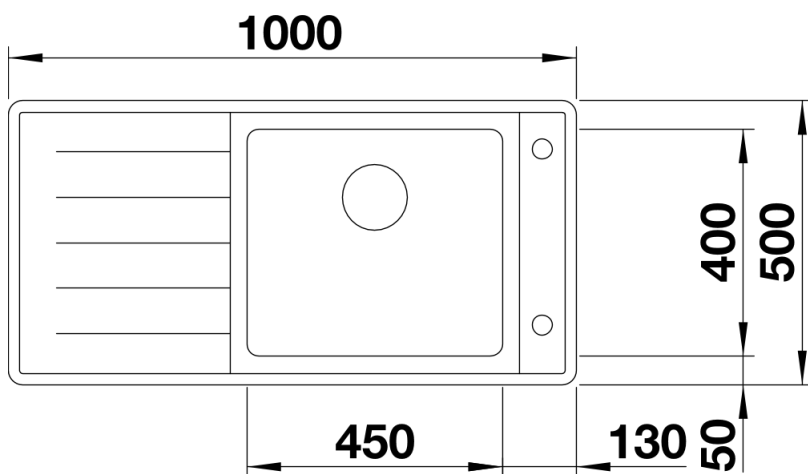
- Cut-out information for all of the installation processes can be found in our internet download.

Scope of supply

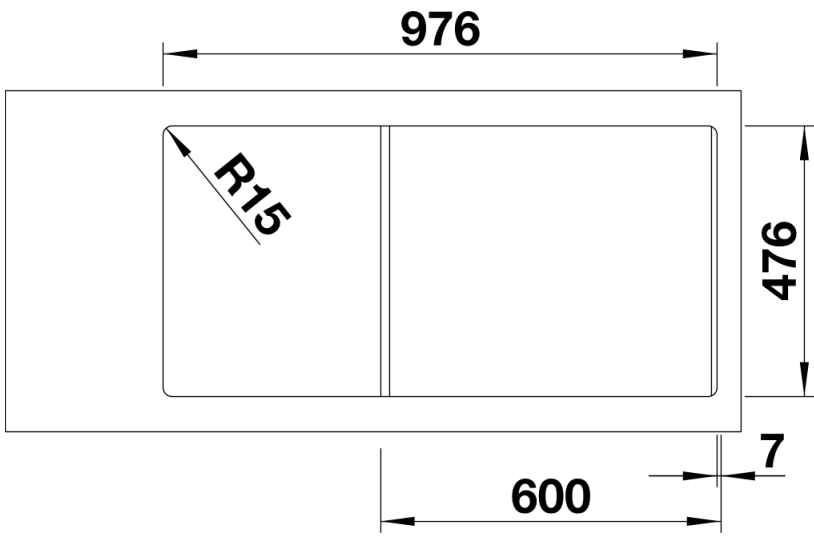
- multifunctional colander, waste kit with space-saving pipe, 3 1/2" InFino™ basket strainer with drain remote control (rotary switch)

227692 - Multifunctional colander

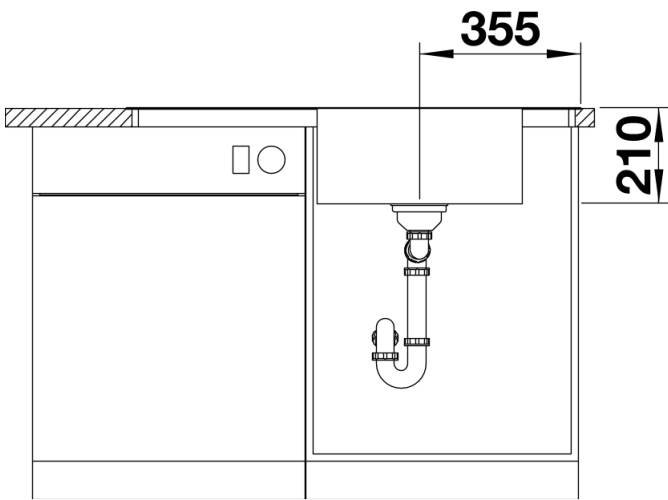
Details



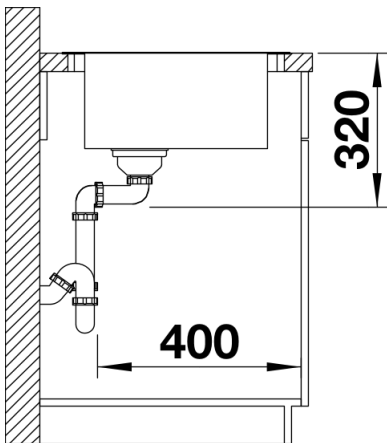
Top view



Cut-out



Front view



Side view