

Product information sheet ALTA Compact

Item no. 515323

Benefits



- Slim tap in aesthetic design
- Particularly adapted for compact sinks
- The front part of the spout can be turned, making it easier to fill bottles
- 360° swivel spout for greater reach
- Colour version in perfect coordination with coloured SILGRANIT™ sinks and bowls

Colours



Available colours:

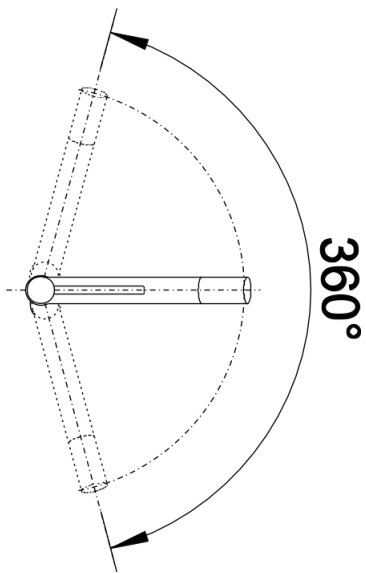
- anthracite/chrome
- rock grey/chrome
- alu metallic/chrome
- pearl grey/chrome
- white/chrome
- jasmine/chrome
- champagne/chrome
- tartufo/chrome
- nutmeg/chrome
- coffee/chrome

SILGRANIT™ Look dual finish anthracite/chrome

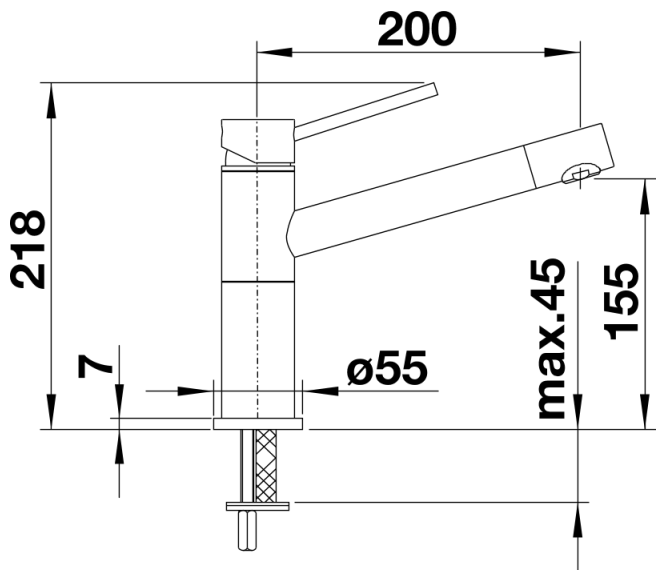
Scope of supply

- 360° swivel spout for greater reach
- Ø 35 mm tap hole required
- With ceramic disk cartridge
- Flexible 450 mm connector pipes and 3/8" nut for particularly easy and secure installation
- Patented jet regulator for markedly reduced scaling
- Stabilisation plate to increase the stability of the tap when fitted in stainless steel sinks
- LGA approved
- DVGW approved

Details



Swivel range



Side view