

Product information sheet ALTA-F Compact

Item no. 518412

Benefits



- Can be installed in front of a window
- Simple to operate: lift straight up and lay on one side
- Slim mixer tap in aesthetic design
- Front part of the spout can be turned for easy filling of bottles
- 360° swivel spout for greater reach

Colours



Available colours:
chrome

metallic surface chrome

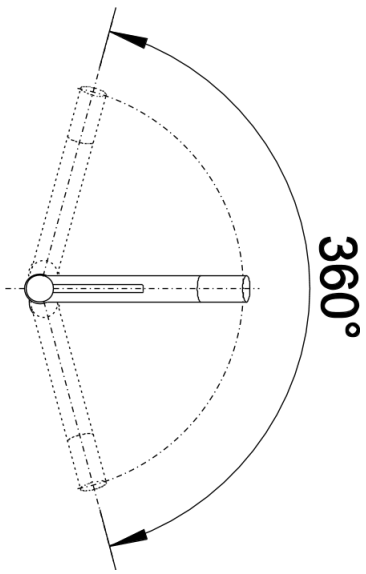
Planning information

- *Minimum clearance between sink and window sash 2.5 cm.

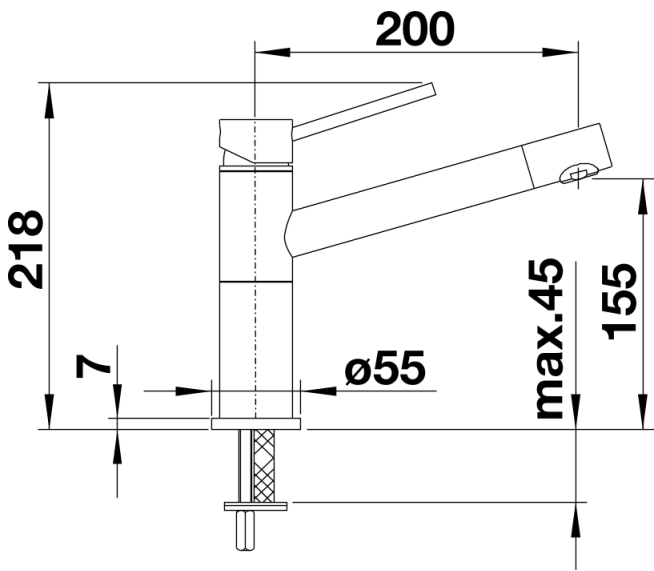
Scope of supply

- 360° swivel spout for greater reach
- Ø 35 mm tap hole required
- With ceramic disk cartridge
- Flexible 750 mm connector pipes and 3/8" nut for particularly easy and secure installation
- Patented jet regulator for markedly reduced scaling
- Stabilisation plate to increase the stability of the tap when fitted in stainless steel sinks
- Planned for LGA certificate
- DVGW approved

Details



Swivel range



Side view