

## Product information sheet ALTA-S-F Compact

Item no. 518413

### Benefits

---



- Can be installed in front of a window
- Simple to operate: lift straight up and lay on one side
- Slim mixer tap in aesthetic design
- Extendable high quality metal spray

### Colours

---



Available colours:  
chrome

metallic surface chrome

## Planning information

---

- \*Minimum clearance between sink and window sash 4.5 cm.

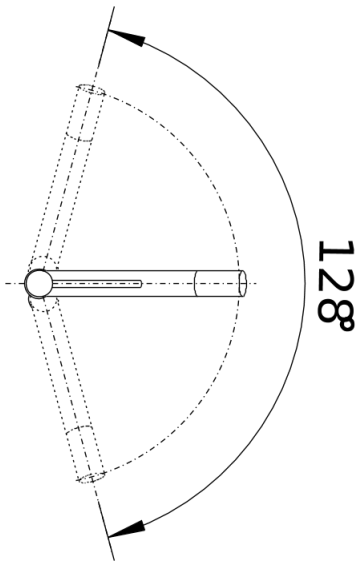
## Scope of supply

---

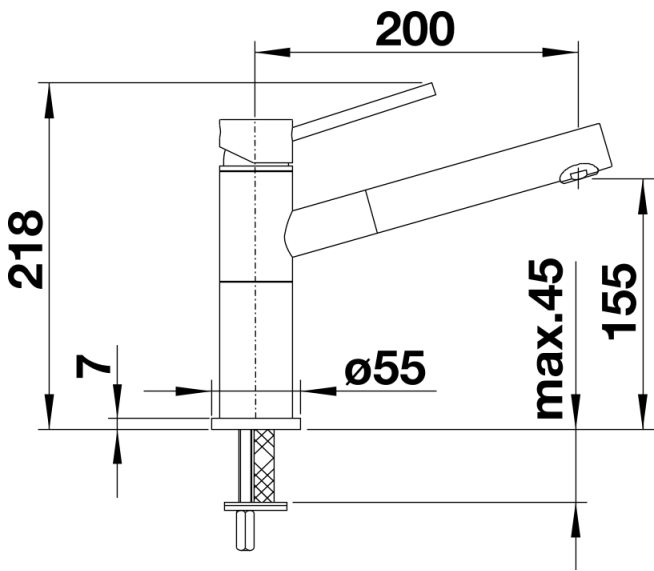
- Spout can be swivelled by 128°
- Ø 35 mm tap hole required
- With ceramic disk cartridge
- Nylon-sheathed spray hose
- Flexible 750 mm connector pipes and 3/8" nut for particularly easy and secure installation
- Patented jet regulator for markedly reduced scaling
- Stabilisation plate to increase the stability of the tap when fitted in stainless steel sinks
- With non-return valve and thus guaranteed against reflux in accordance with EN 1717
- LGA approved
- DVGW approved

## Details

---



Swivel range



Side view