



PRECISION Super Single with Apron

Sink Specifications

Color	SKU
satin polish	513439

Design and Planning Tips

- Min cabinet size: 36 in
- Bowl depth: 10 in (254.0 mm)

What is included:

Installation instructions, Limited lifetime warranty, Drain NOT included., Sink clips are not included and may be ordered separately, Installed sound deadening pads.

Note: Requires custom installation.

Bowl Depth: 10"

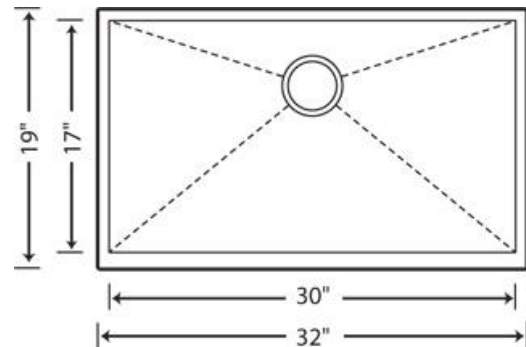
Required outside cabinet:* 36"

Cutout Size: Template provided with approximate 1/8" reveal

Apron Dimensions*: 32"L x 1-3/16"W x 9"H

*Please make certain there is adequate countertop width to accommodate the substantial sink width (19").

Codes/Standards: ASME A112.19.3-2017/CSA B45.4-17



Warranty

BLANCO offers a limited lifetime warranty on all sinks and faucets, as well as a one-year warranty on all custom accessories.

Code/Standards Compliance

BLANCO sinks and faucets are third-party tested and certified to standards and listed by applicable certification bodies. For more information on individual product listings, contact our office or listing organization.



View our how-to videos to learn more about installing and caring for BLANCO products:

<https://www.blanco.com/us-en/service/how-to-videos/>

Questions? Contact us today



BLANCO America, Inc.
110 Mount Holly By-Pass
Lumberton, NJ 08048

Phone & Fax
Phone: 888-668-6201
Fax: 609-668-6211

While BLANCO endeavors to provide accurate information, all dimensions are nominal, cannot be guaranteed, and are subject to change or cancellation. BLANCO assumes no responsibility for use of superseded or voided specifications.